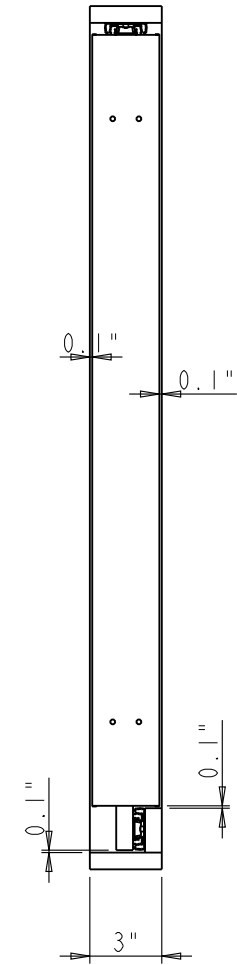
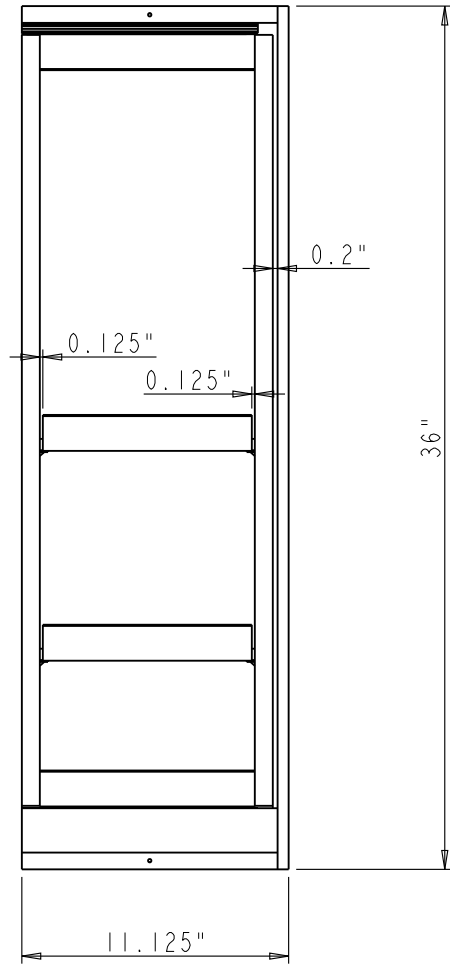


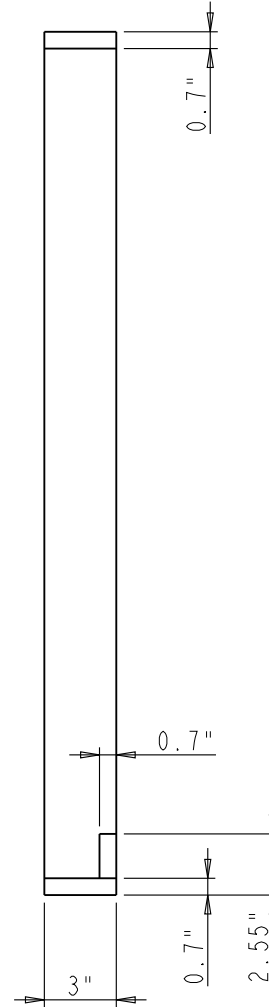
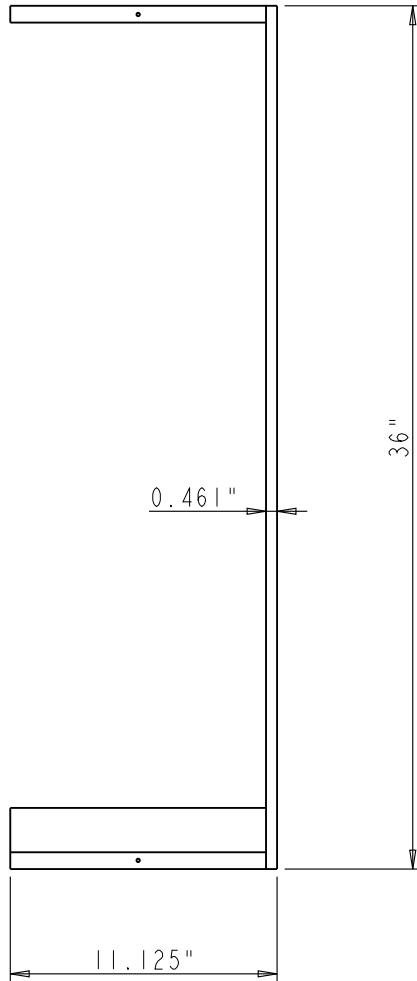
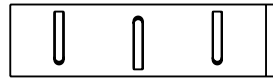
Bills of Material:

| NO. | ITEM#               | MATERIAL | QTY | UNIT | TOTL WEIGHT | TYPE     | ASSY LEVEL |
|-----|---------------------|----------|-----|------|-------------|----------|------------|
| 5   | REMOVABLE-SHELF-31N |          | 2   |      |             | ASSEMBLY | 1          |
| 4   | 7704                |          | 8   |      |             | PART     | 1          |
| 3   | 303FU-10            |          | 2   |      |             | PART     | 1          |
| 2   | PULL-FRAME-3X36     |          | 1   |      |             | ASSEMBLY | 1          |
| 1   | MOUNT-FRAME-3X36    |          | 1   |      |             | ASSEMBLY | 1          |

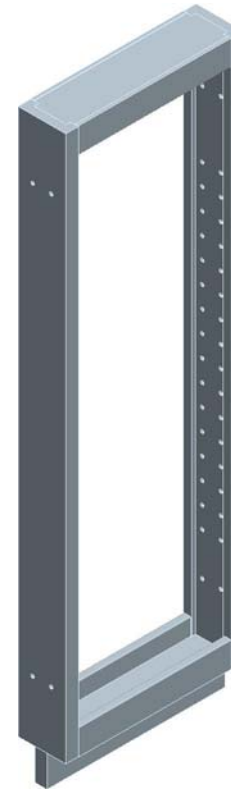
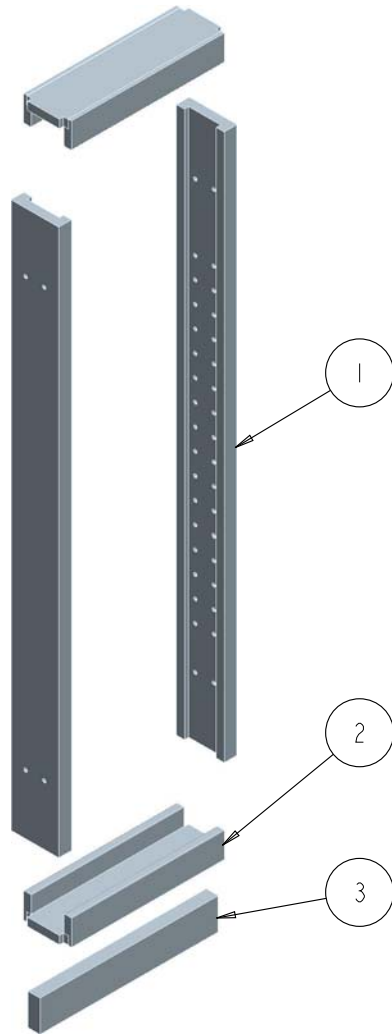
|  |  |                          |                                     |                             |                        |
|--|--|--------------------------|-------------------------------------|-----------------------------|------------------------|
| <b>HARDWARE</b><br><b>HR</b> 4319 MARLENA ST.<br>BOSSIER CITY, LA 71111<br><b>RESOURCES</b>  |  | <b>ITEM#:</b><br>WFPO336 |                                     | <b>MATERIAL:</b><br>WFPO336 |                        |
| <b>PROPRIETARY AND CONFIDENTIAL</b><br>THE INFORMATION CONTAINED IN THIS DRAWING IS THE SOLE PROPERTY OF HARDWARE RESOURCES INC. ANY REPRODUCTION IN PART OR AS A WHOLE WITHOUT THE WRITTEN PERMISSION OF HARDWARE RESOURCES INC. IS PROHIBITED. |  | <b>FINISH:</b>           |                                     | <b>WEIGHT:</b><br>9         |                        |
| <b>TOLERANCE UNLESS OTHERWISE SPECIFIED:</b><br>X : MM ±0.20<br>XX : MM ±0.10<br>XXX : MM ±0.05<br>ANGULAR: ±0.5°<br>DO NOT SCALE DRAWING  |  | <b>UNIT:</b>             | <b>DRAWN BY:</b><br><i>alan.liu</i> | <b>DATE:</b>                |                        |
| <b>SIZE:</b>   |  | <b>CHECKED BY:</b>       | <b>DATE:</b>                        |                             | <b>PROJECTION:</b><br> |
| <b>APPROVED BY:</b>  |  | <b>DATE:</b>             |                                     |                             |                        |



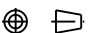
|  |  |                        |
|--|--|------------------------|
| <b>HARDWARE</b><br><b>HR</b><br>4319 MARLENA ST.<br>BOSSIER CITY,<br>LA71111<br><b>RESOURCES</b>   | <b>ITEM#:</b><br>WFPO336   | <b>MATERIAL:</b>       |
|  | <b>FINISH:</b>   | <b>WEIGHT:</b><br>9    |
| <b>PROPRIETARY AND CONFIDENTIAL</b><br>THE INFORMATION CONTAINED IN THIS DRAWING IS THE SOLE PROPERTY OF HARDWARE RESOURCES INC. ANY REPRODUCTION IN PART OR AS A WHOLE WITHOUT THE WRITTEN PERMISSION OF HARDWARE RESOURCES INC. IS PROHIBITED. | <b>TOLERANCE UNLESS OTHERWISE SPECIFIED:</b><br>X : MM ±0.20<br>X.X : MM ±0.10<br>X.XX : MM ±0.05<br>ANGULAR : ±0.5°<br>DO NOT SCALE DRAWING | <b>PROJECTION:</b><br> |
| <b>UNIT:</b>   | <b>DRAWN BY:</b><br><i>alan.liu</i>  | <b>DATE:</b>           |
| <b>SIZE:</b>   | <b>CHECKED BY:</b>   | <b>DATE:</b>           |
|  | <b>APPROVED BY:</b>  | <b>DATE:</b>           |

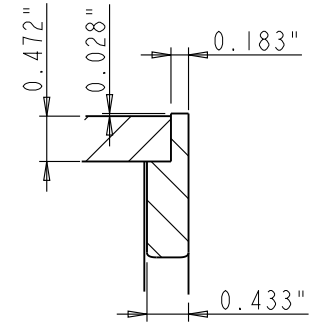
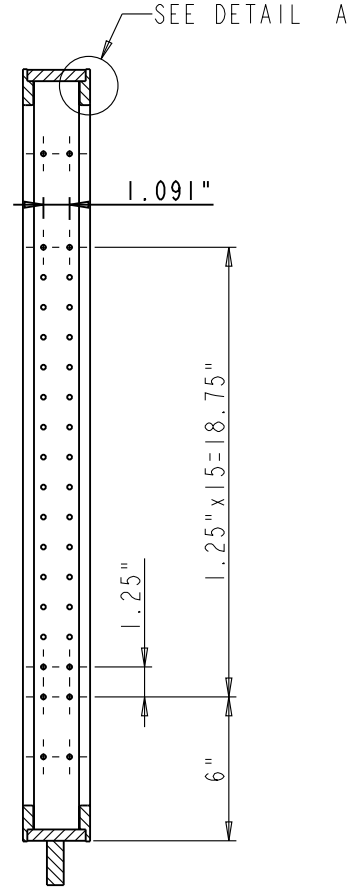
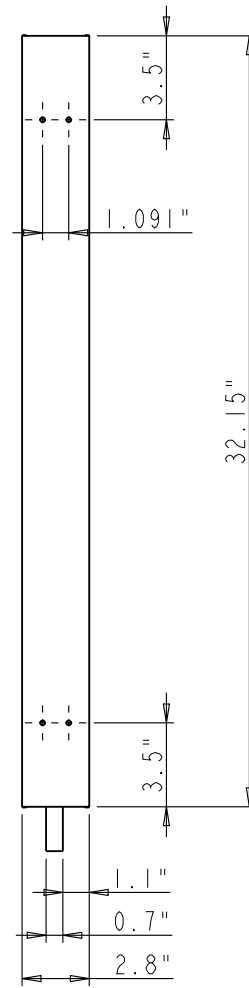
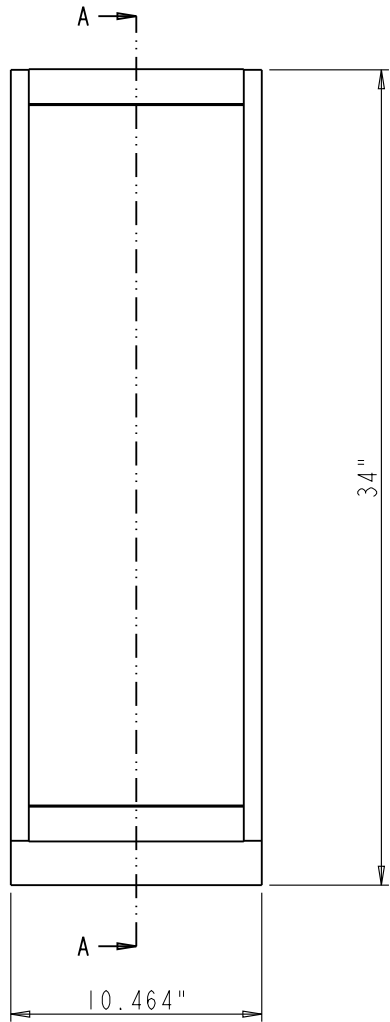


|  |   |                              |
|--|---|------------------------------|
| <b>HARDWARE</b><br><b>HR</b><br>4319 MARLENA ST.<br>BOSSIER CITY,<br>LA 71111<br><b>RESOURCES</b>  | <b>ITEM:</b><br>MOUNT-FRAME-3X36  | <b>MATERIAL:</b><br>PLY Wood |
|  | <b>FINISH:</b>  | <b>WEIGHT:</b><br>9          |
| <b>PROPRIETARY AND CONFIDENTIAL</b><br>THE INFORMATION CONTAINED IN THIS DRAWING IS THE SOLE PROPERTY OF HARDWARE RESOURCES INC. ANY REPRODUCTION IN PART OR AS A WHOLE WITHOUT THE WRITTEN PERMISSION OF HARDWARE RESOURCES INC. IS PROHIBITED. | <b>TOLERANCE UNLESS OTHERWISE SPECIFIED:</b><br>X : MM ±0.20<br>X.X : MM ±0.10<br>X.XX : MM ±0.05<br>ANGULAR: ±0.5°<br>DO NOT SCALE DRAWING | <b>PROJECTION:</b><br>       |
| <b>UNIT:</b>   | <b>DRAWN BY:</b><br><i>alan.liu</i>   | <b>DATE:</b>                 |
| <b>SIZE:</b>   | <b>CHECKED BY:</b>  | <b>DATE:</b>                 |
| <b>APPROVED BY:</b>  |   | <b>DATE:</b>                 |



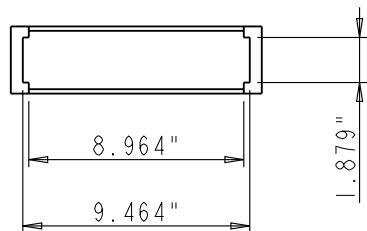
Bills of Material:

| 3  | SLIDER-MOUNT-BOARD_MOVABLE |  | 1   |                             |   | PART   | 1          |
|--|----------------------------|--|-----|-----------------------------|---|--|------------|
| 2  | FIXED-SHELF-3IN            |  | 2   |                             |   | ASSEMBLY   | 1          |
| 1  | FRONT-BOARD_3X36           |  | 2   |                             |   | PART   | 1          |
| NO.  | ITEM#                      | MATERIAL   | QTY | UNIT                        | TOTLE                                       | TYPE   | ASSY LEVEL |
|  |                            |  |     | WEIGHT                      |   |  |            |
| <b>HARDWARE</b><br><b>HR</b> 4319 MARLENA ST.<br>BOSSIER CITY,<br>LA71111<br><b>RESOURCES</b><br><b>PROPRIETARY AND CONFIDENTIAL</b><br>THE INFORMATION CONTAINED IN THIS DRAWING IS THE SOLE PROPERTY OF HARDWARE RESOURCES INC. ANY REPRODUCTION IN PART OR AS A WHOLE WITHOUT THE WRITTEN PERMISSION OF HARDWARE RESOURCES INC. IS PROHIBITED |                            | <b>ITEM#</b><br>PULL-FRAME-3X36<br><b>FINISH:</b>  |     | <b>MATERIAL:</b><br>WEIGHT: |   | <b>PROJECTION:</b>  |            |
|  |                            | TOLERANCE UNLESS OTHERWISE SPECIFIED:<br>X : MM ±0.20<br>X.X : MM ±0.10<br>X.XX : MM ±0.05<br>ANGULAR: ±0.5°<br>DO NOT SCALE DRAWING |     | UNIT:<br>SIZE:              | DRAWN BY:<br><i>alan.liu</i><br>CHECKED BY: | DATE:  | DATE:      |
|  |                            |  |     | APPROVED BY:                |   | DATE:  |            |

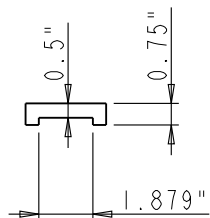
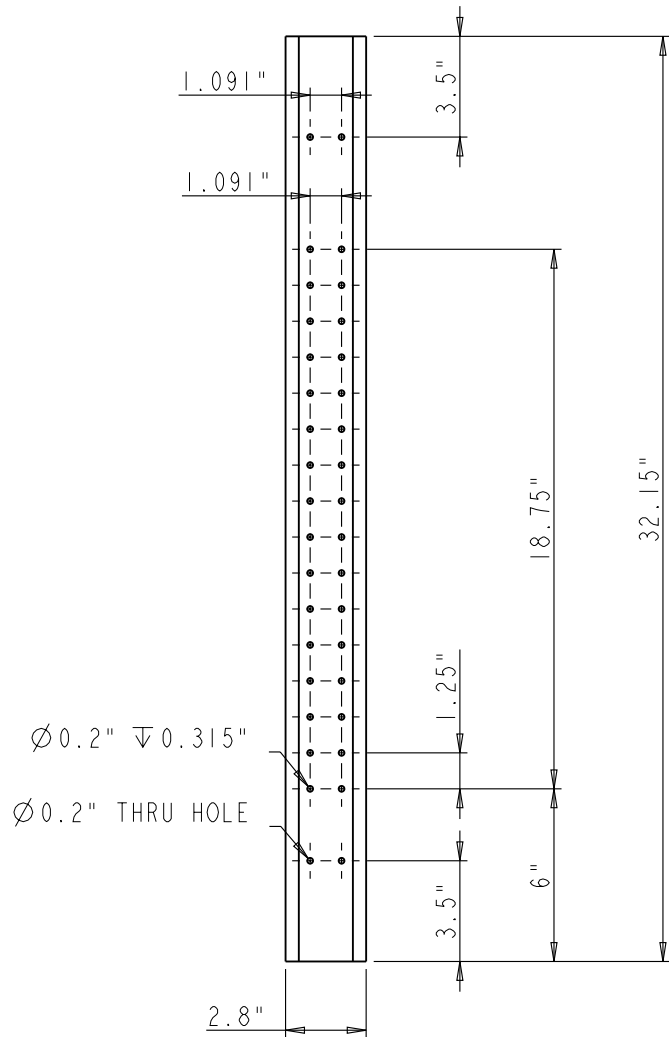


DETAIL A  
SCALE 1:2

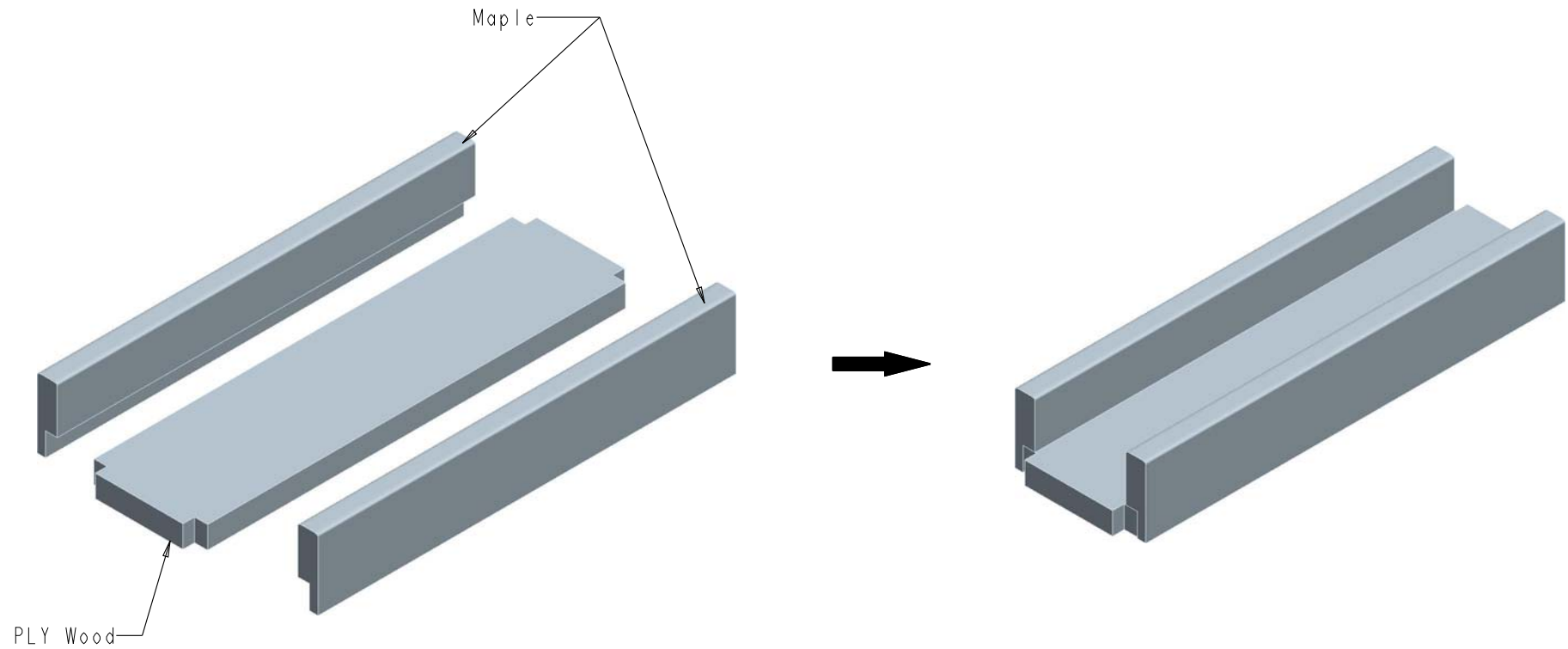
SECTION A-A



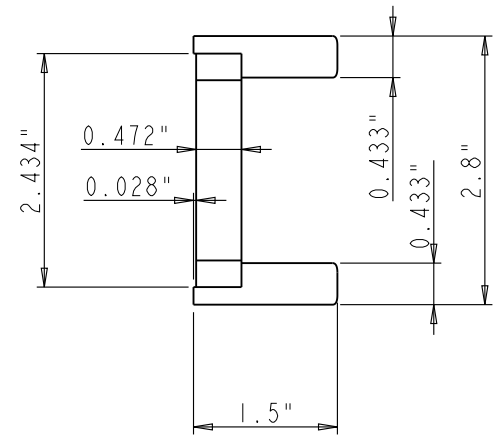
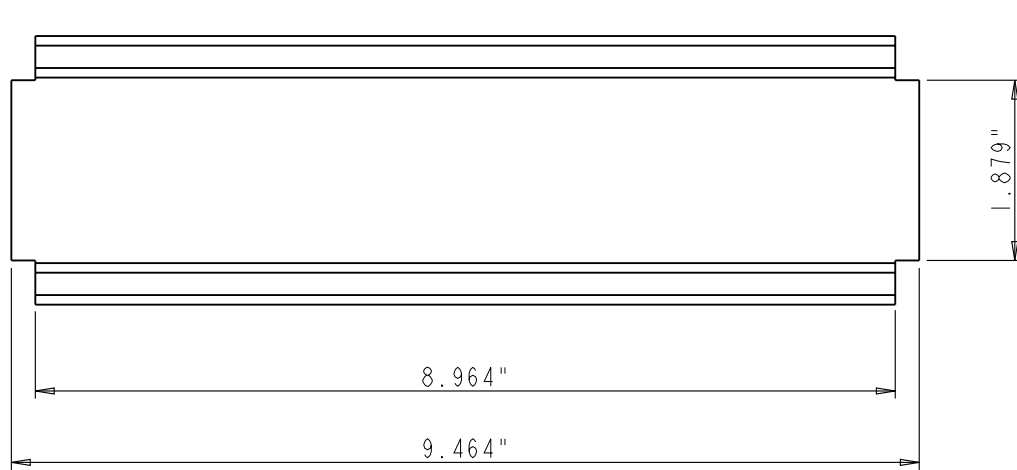
|   |                                  |                                     |              |
|---|----------------------------------|-------------------------------------|--------------|
| <b>HARDWARE</b><br><b>HR</b><br>4319 MARLENA ST.<br>BOSSIER CITY,<br>LA 71111<br><b>RESOURCES</b><br><u>PROPRIETARY AND CONFIDENTIAL</u><br>THE INFORMATION CONTAINED IN THIS DRAWING IS THE SOLE PROPERTY OF HARDWARE RESOURCES INC. ANY REPRODUCTION IN PART OR AS A WHOLE WITHOUT THE WRITTEN PERMISSION OF HARDWARE RESOURCES INC. IS PROHIBITED. | <b>ITEM#:</b><br>PULL-FRAME-3X36 | <b>MATERIAL:</b>                    |              |
|   | <b>FINISH:</b>                   | <b>WEIGHT:</b><br>9                 |              |
| <b>TOLERANCE UNLESS OTHERWISE SPECIFIED:</b><br>X: MM ±0.20<br>XX: MM ±0.10<br>XXX: MM ±0.05<br>ANGULAR: ±0.5°<br>DO NOT SCALE DRAWING  | <b>UNIT:</b>                     | <b>DRAWN BY:</b><br><i>alan.liu</i> | <b>DATE:</b> |
|   | <b>SIZE:</b>                     | <b>CHECKED BY:</b>                  | <b>DATE:</b> |
|   | <b>APPROVED BY:</b>              |                                     | <b>DATE:</b> |



|  |   |                           |
|--|---|---------------------------|
| <b>HARDWARE</b><br><b>HR</b><br>4319 MARLENA ST.<br>BOSSIER CITY,<br>LA71111<br><b>RESOURCES</b>   | <b>ITEM:</b><br>FRONT-BOARD_3X36  | <b>MATERIAL:</b><br>Maple |
|  | <b>FINISH:</b>  | <b>WEIGHT:</b><br>9       |
| <b>PROPRIETARY AND CONFIDENTIAL</b><br>THE INFORMATION CONTAINED IN THIS DRAWING IS THE SOLE PROPERTY OF HARDWARE RESOURCES INC. ANY REPRODUCTION IN PART OR AS A WHOLE WITHOUT THE WRITTEN PERMISSION OF HARDWARE RESOURCES INC. IS PROHIBITED. | <b>TOLERANCE UNLESS OTHERWISE SPECIFIED:</b><br>X : MM ±0.20<br>X.X : MM ±0.10<br>X.XX : MM ±0.05<br>ANGULAR: ±0.5°<br>DO NOT SCALE DRAWING | <b>PROJECTION:</b><br>    |
| <b>UNIT:</b>   | <b>DRAWN BY:</b><br><i>alan.liu</i>   | <b>DATE:</b>              |
| <b>SIZE:</b>   | <b>CHECKED BY:</b>  | <b>DATE:</b>              |
|  | <b>APPROVED BY:</b>   | <b>DATE:</b>              |

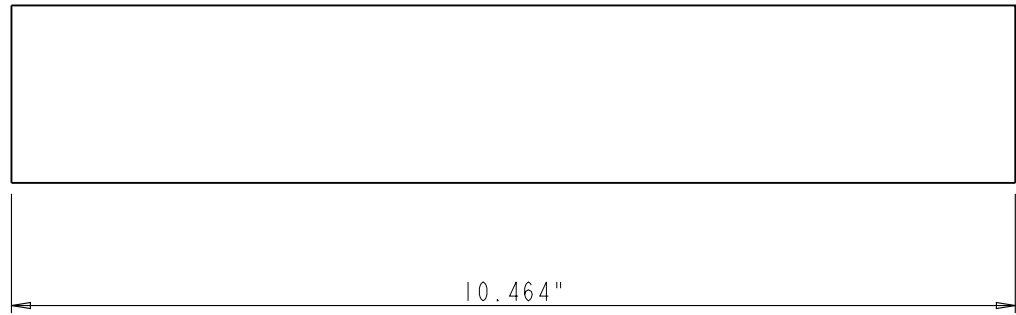
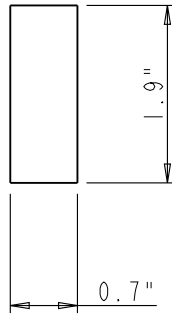


|   |   |                    |                     |                                     |              |
|---|---|--------------------|---------------------|-------------------------------------|--------------|
| <b>HARDWARE</b><br><b>HR</b><br>4319 MARLENA ST.<br>BOSSIER CITY,<br>LA71111<br><b>RESOURCES</b>  | <b>ITEM#:</b><br>FIXED-SHELF-3IN  |                    | <b>MATERIAL:</b>    |                                     |              |
|   | <b>FINISH:</b>  |                    | <b>WEIGHT:</b><br>9 |                                     |              |
| <b>PROPRIETARY AND CONFIDENTIAL</b><br>THE INFORMATION CONTAINED IN THIS<br>DRAWING IS THE SOLE PROPERTY OF<br>HARDWARE RESOURCES INC. ANY<br>REPRODUCTION IN PART OR AS A<br>WHOLE WITHOUT THE WRITTEN<br>PERMISSION OF HARDWARE<br>RESOURCES INC. IS PROHIBITED | <b>TOLERANCE UNLESS<br/>         OTHERWISE SPECIFIED:</b><br>X : MM ±0.20<br>X.X : MM ±0.10<br>X.XX : MM ±0.05<br>ANGULAR : ±0.5°<br>DO NOT SCALE DRAWING |                    | <b>UNIT:</b>        | <b>DRAWN BY:</b><br><i>alan.liu</i> | <b>DATE:</b> |
|   | <b>SIZE:</b>  | <b>CHECKED BY:</b> | <b>PROJECTION:</b>  |                                     |              |
|   | <b>APPROVED BY:</b>   |                    | <b>DATE:</b>        |                                     | <b>DATE:</b> |
|   | <b>DATE:</b>  |                    | <b>DATE:</b>        |                                     | <b>DATE:</b> |

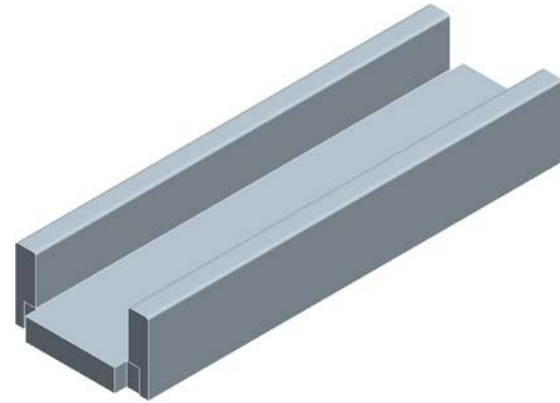
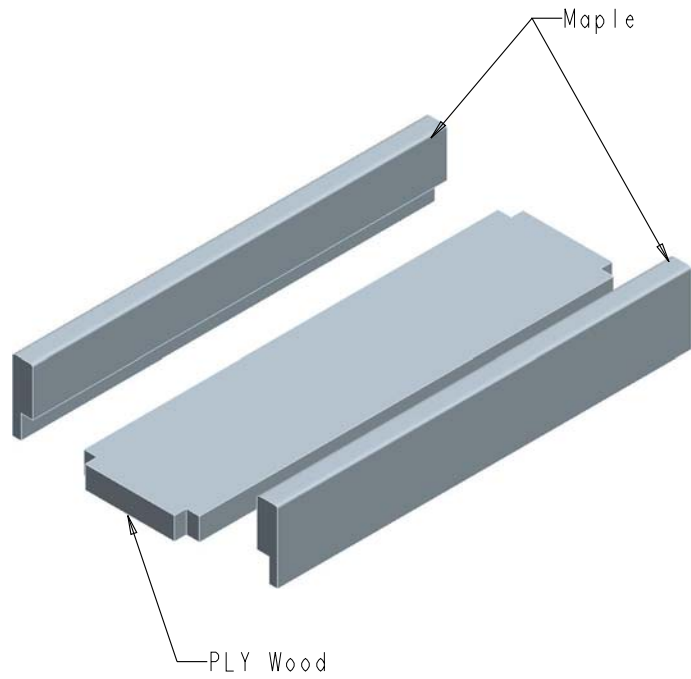


|  |   |                        |
|--|---|------------------------|
| <b>HARDWARE</b><br><b>HR</b><br>4319 MARLENA ST.<br>BOSSIER CITY,<br>LA71111<br><b>RESOURCES</b>   | <b>ITEM:</b><br>FIXED-SHELF-3IN   | <b>MATERIAL:</b>       |
|  | <b>FINISH:</b>  | <b>WEIGHT:</b><br>9    |
| <b>PROPRIETARY AND CONFIDENTIAL</b><br>THE INFORMATION CONTAINED IN THIS DRAWING IS THE SOLE PROPERTY OF HARDWARE RESOURCES INC. ANY REPRODUCTION IN PART OR AS A WHOLE WITHOUT THE WRITTEN PERMISSION OF HARDWARE RESOURCES INC. IS PROHIBITED. | <b>TOLERANCE UNLESS OTHERWISE SPECIFIED:</b><br>X : MM ±0.20<br>XX : MM ±0.10<br>XXX : MM ±0.05<br>ANGULAR: ±0.5°<br>DO NOT SCALE DRAWING | <b>PROJECTION:</b><br> |
| <b>UNIT:</b>   | <b>DRAWN BY:</b><br><i>alan.liu</i>   | <b>DATE:</b>           |
| <b>SIZE:</b>   | <b>CHECKED BY:</b>  | <b>DATE:</b>           |
|  | <b>APPROVED BY:</b>   | <b>DATE:</b>           |

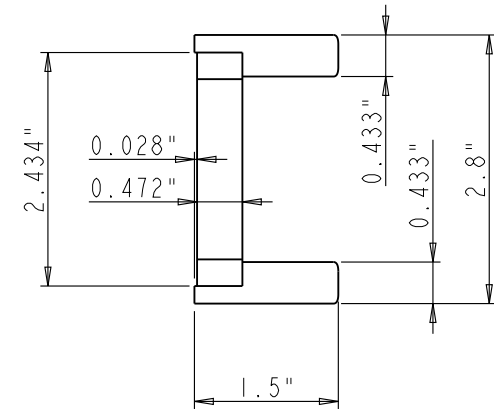
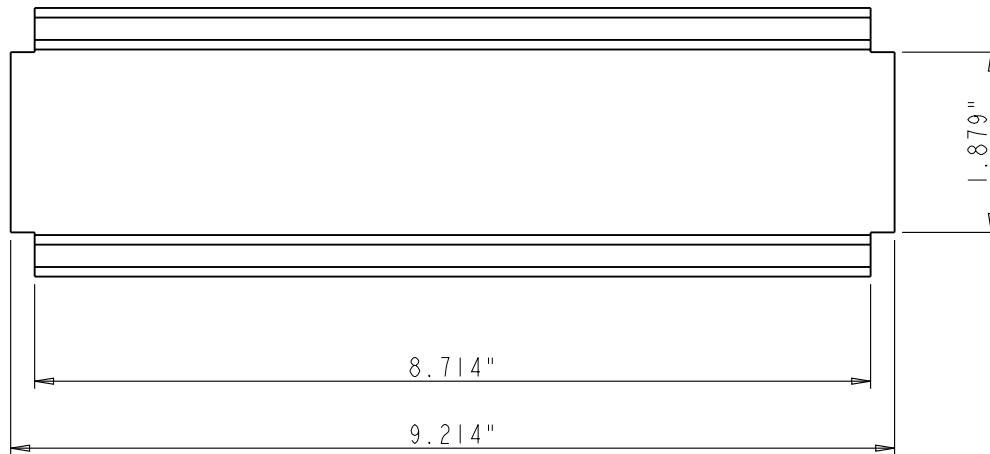




|   |  |                    |                              |                                     |              |  |
|---|--|--------------------|------------------------------|-------------------------------------|--------------|--|
| <b>HARDWARE</b><br><b>HR</b><br>4319 MARLENA ST.<br>BOSSIER CITY,<br>LA 71111<br><b>RESOURCES</b>   | <b>ITEM:</b><br>SLIDER-MOUNT-BOARD_MOVABLE   |                    | <b>MATERIAL:</b><br>PLY Wood |                                     |              |  |
|   | <b>FINISH:</b>   |                    | <b>WEIGHT:</b><br>g          |                                     |              |  |
| <b>PROPRIETARY AND CONFIDENTIAL</b><br>THE INFORMATION CONTAINED IN THIS<br>DRAWING IS THE SOLE PROPERTY OF<br>HARDWARE RESOURCES INC. ANY<br>REPRODUCTION IN PART OR AS A<br>WHOLE WITHOUT THE WRITTEN<br>PERMISSION OF HARDWARE<br>RESOURCES INC. IS PROHIBITED | <b>TOLERANCE UNLESS OTHERWISE SPECIFIED:</b><br>X : MM ±0.20<br>X.X : MM ±0.10<br>X.XX : MM ±0.05<br>ANGULAR : ±0.5°<br>DO NOT SCALE DRAWING |                    | <b>UNIT:</b>                 | <b>DRAWN BY:</b><br><i>alan.liu</i> | <b>DATE:</b> |  |
|   | <b>SIZE:</b>   | <b>CHECKED BY:</b> | <b>DATE:</b>                 | <b>PROJECTION:</b>                  |              |  |
|   | <b>PAGE 00</b>   |                    | <b>APPROVED BY:</b>          | <b>DATE:</b>                        |              |  |
|   |  |                    |                              |                                     |              |  |



|  |                                      |  |                     |                        |
|--|--------------------------------------|--|---------------------|------------------------|
| <b>HARDWARE</b><br><b>HR</b><br>4319 MARLENA ST.<br>BOSSIER CITY,<br>LA 71111<br><b>RESOURCES</b>  | <b>ITEM#:</b><br>REMOVABLE-SHELF-3IN |  | <b>MATERIAL:</b>    |                        |
|  | <b>FINISH:</b>                       |  | <b>WEIGHT:</b><br>9 |                        |
| <b>PROPRIETARY AND CONFIDENTIAL</b><br>THE INFORMATION CONTAINED IN THIS DRAWING IS THE SOLE PROPERTY OF HARDWARE RESOURCES INC. ANY REPRODUCTION IN PART OR AS A WHOLE WITHOUT THE WRITTEN PERMISSION OF HARDWARE RESOURCES INC. IS PROHIBITED. |                                      | <b>TOLERANCE UNLESS OTHERWISE SPECIFIED:</b><br>X : MM ±0.20<br>X.X : MM ±0.10<br>X.XX : MM ±0.05<br>ANGULAR : ±0.5°<br>DO NOT SCALE DRAWING |                     | <b>PROJECTION:</b><br> |
| <b>UNIT:</b>   |                                      | <b>DRAWN BY:</b><br><i>alan.liu</i>  |                     | <b>DATE:</b>           |
| <b>SIZE:</b>   |                                      | <b>CHECKED BY:</b>   |                     | <b>DATE:</b>           |
| PAGE 00  |                                      | <b>APPROVED BY:</b>  |                     | <b>DATE:</b>           |



|   |  |                    |                     |                                     |              |
|---|--|--------------------|---------------------|-------------------------------------|--------------|
| <b>HARDWARE</b><br><b>HR</b><br>4319 MARLENA ST.<br>BOSSIER CITY,<br>LA 71111<br><b>RESOURCES</b>   | <b>ITEM:</b><br>REMOVABLE-SHELF-31N  |                    | <b>MATERIAL:</b>    |                                     |              |
|   | <b>FINISH:</b>   |                    | <b>WEIGHT:</b><br>9 |                                     |              |
| <b>PROPRIETARY AND CONFIDENTIAL</b><br>THE INFORMATION CONTAINED IN THIS<br>DRAWING IS THE SOLE PROPERTY OF<br>HARDWARE RESOURCES INC. ANY<br>REPRODUCTION IN PART OR AS A<br>WHOLE WITHOUT THE WRITTEN<br>PERMISSION OF HARDWARE<br>RESOURCES INC. IS PROHIBITED | <b>TOLERANCE UNLESS OTHERWISE SPECIFIED:</b><br>X : MM ±0.20<br>X.X : MM ±0.10<br>X.XX : MM ±0.05<br>ANGULAR : ±0.5°<br>DO NOT SCALE DRAWING |                    | <b>UNIT:</b>        | <b>DRAWN BY:</b><br><i>alan.liu</i> | <b>DATE:</b> |
|   | <b>SIZE:</b>   | <b>CHECKED BY:</b> | <b>APPROVED BY:</b> | <b>DATE:</b>                        | <b>DATE:</b> |
|   | <b>PROJECTION:</b>   |                    |                     |                                     | <b>DATE:</b> |
|   | <b>PROJECTION:</b>   |                    |                     |                                     | <b>DATE:</b> |