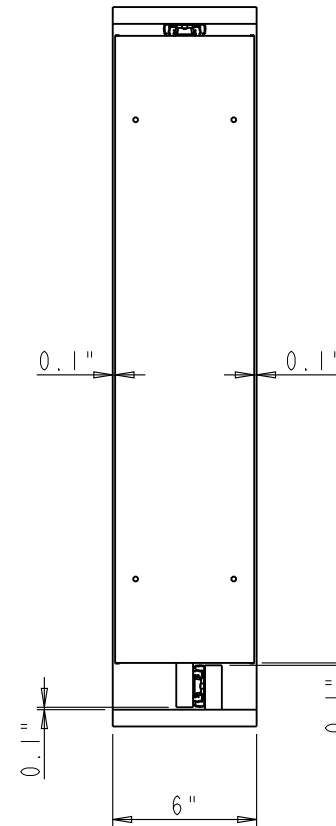
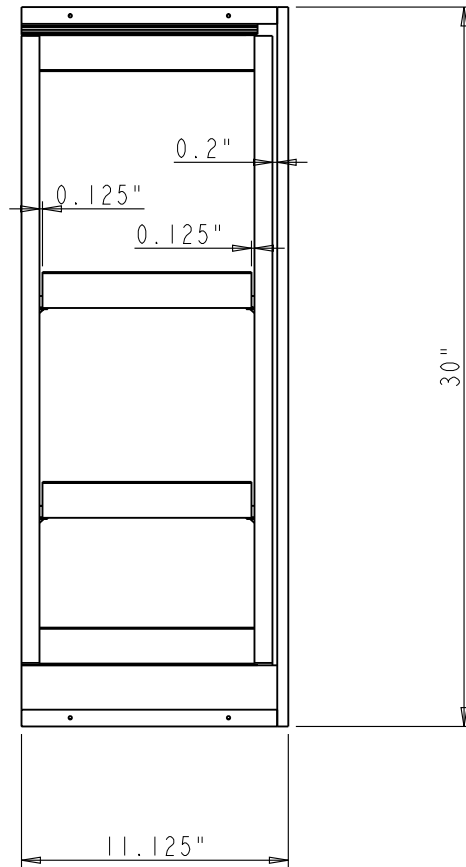


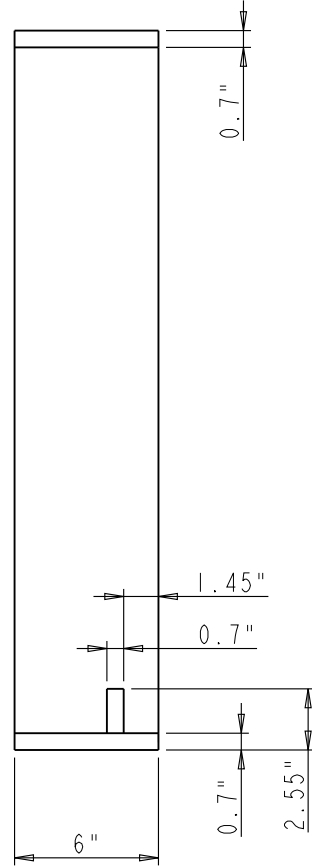
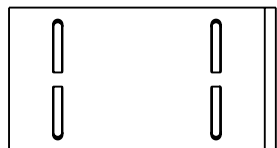
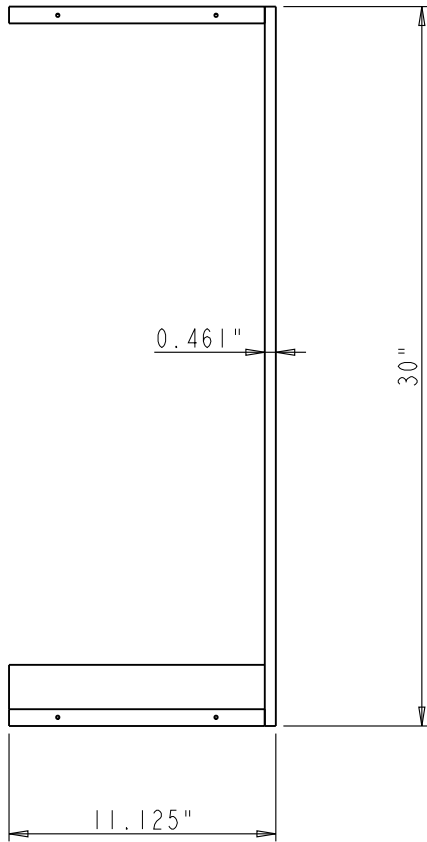
Bills of Material:


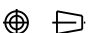
NO.	ITEM#	MATERIAL	QTY	UNIT WEIGHT	TOTL WEIGHT	TYPE	ASSY LEVEL
5	REMOVABLE-SHELF-6IN		2			ASSEMBLY	1
4	7704		8			PART	1
3	303FU-10		2			PART	1
2	PULL-FRAME-6X30		1			ASSEMBLY	1
1	MOUNT-FRAME-6X30		1			ASSEMBLY	1

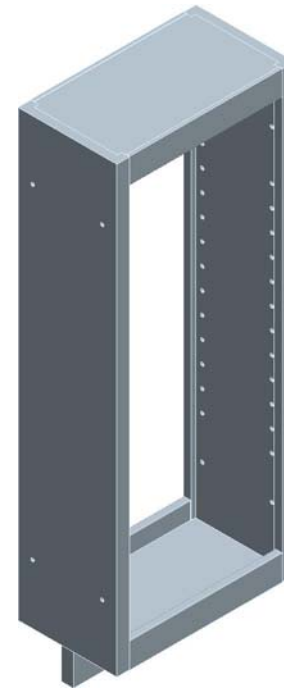
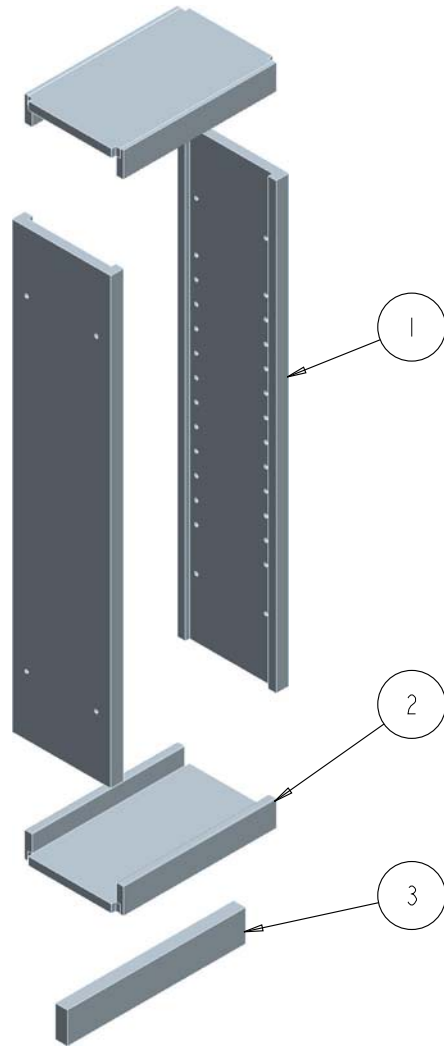
HARDWARE HR 4319 MARLENA ST. BOSSIER CITY, LA71111 RESOURCES		ITEM#: WFPO630		MATERIAL: WFPO630	
PROPRIETARY AND CONFIDENTIAL THE INFORMATION CONTAINED IN THIS DRAWING IS THE SOLE PROPERTY OF HARDWARE RESOURCES INC. ANY REPRODUCTION IN PART OR AS A WHOLE WITHOUT THE WRITTEN PERMISSION OF HARDWARE RESOURCES INC. IS PROHIBITED.		FINISH:		WEIGHT: 9	
TOLERANCE UNLESS OTHERWISE SPECIFIED: X : MM ±0.20 X.X : MM ±0.10 X.XX : MM ±0.05 ANGULAR: ±0.5° DO NOT SCALE DRAWING		UNIT:	DRAWN BY: <i>alan.liu</i>	DATE:	
		SIZE:	CHECKED BY:	DATE:	
		APPROVED BY:		DATE:	



HARDWARE HR 4319 MARLENA ST. BOSSIER CITY, LA 71111 RESOURCES <u>PROPRIETARY AND CONFIDENTIAL</u> THE INFORMATION CONTAINED IN THIS DRAWING IS THE SOLE PROPERTY OF HARDWARE RESOURCES INC. ANY REPRODUCTION IN PART OR AS A WHOLE WITHOUT THE WRITTEN PERMISSION OF HARDWARE RESOURCES INC. IS PROHIBITED	ITEM#: WFPO630	MATERIAL:
	FINISH:	WEIGHT: 9
TOLERANCE UNLESS OTHERWISE SPECIFIED: X : MM ±0.20 X.X : MM ±0.10 X.XX : MM ±0.05 ANGULAR : ±0.5° DO NOT SCALE DRAWING	UNIT:	DRAWN BY: <i>alan.liu</i>
SIZE:	CHECKED BY:	DATE:
APPROVED BY:	DATE:	PROJECTION:



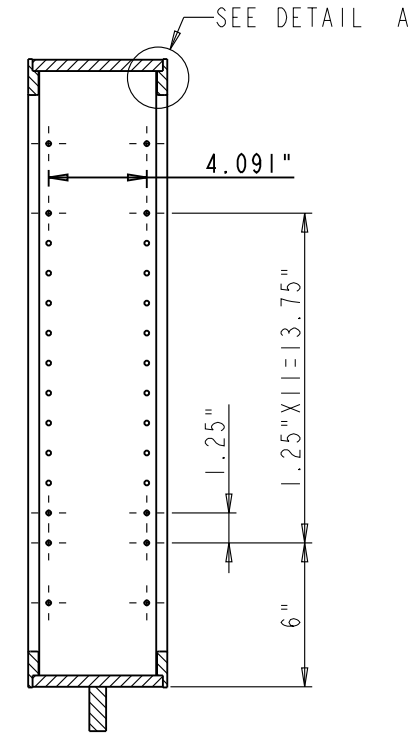
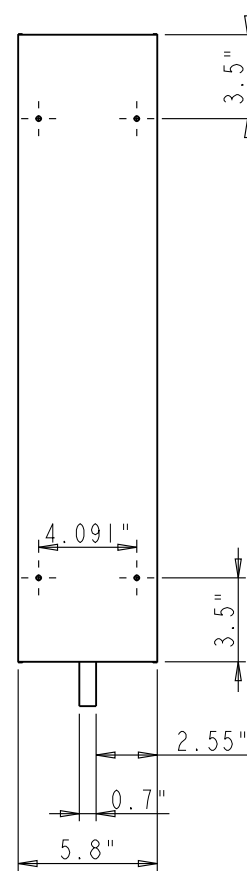
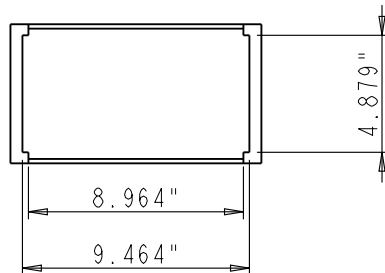
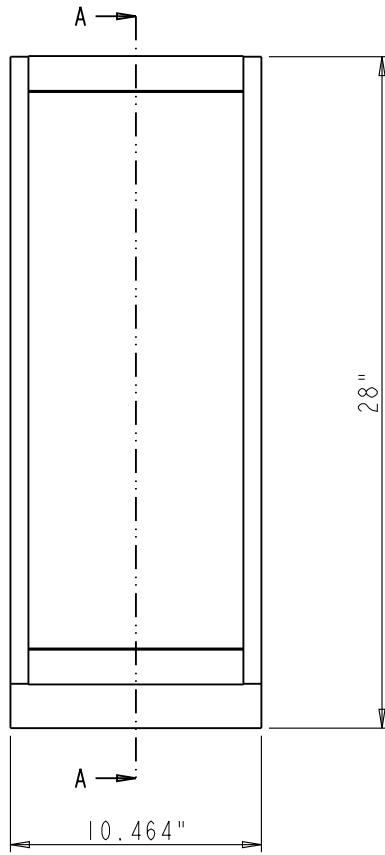
HARDWARE  4319 MARLENA ST. BOSSIER CITY, LA71111 RESOURCES <u>PROPRIETARY AND CONFIDENTIAL</u> THE INFORMATION CONTAINED IN THIS DRAWING IS THE SOLE PROPERTY OF HARDWARE RESOURCES INC. ANY REPRODUCTION IN PART OR AS A WHOLE WITHOUT THE WRITTEN PERMISSION OF HARDWARE RESOURCES INC. IS PROHIBITED	ITEM#: MOUNT-FRAME-6X30	MATERIAL: PLY Wood
	FINISH:	WEIGHT: 9
TOLERANCE UNLESS OTHERWISE SPECIFIED: X : MM ±0.20 XX : MM ±0.10 XXX : MM ±0.05 ANGULAR : ±0.5° DO NOT SCALE DRAWING	UNIT:	PROJECTION: 
DRAWN BY: <i>alan.liu</i>	CHECKED BY:	DATE:
APPROVED BY:		DATE:



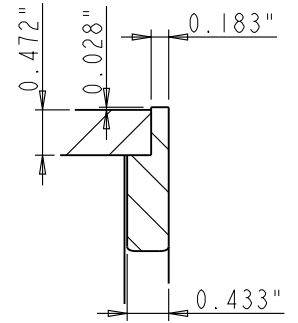
Bills of Material:

NO.	ITEM#	MATERIAL	QTY	UNIT	TOTLE	TYPE	ASSY
			WEIGHT				
3	SLIDER-MOUNT-BOARD_MOVABLE		1			PART	1
2	FIXED-SHELF-6IN		2			ASSEMBLY	1
1	FRONT-BOARD_6X30		2			PART	1

HARDWARE HR 4319 MARLENA ST. BOSSIER CITY, LA71111 RESOURCES <u>PROPRIETARY AND CONFIDENTIAL</u> THE INFORMATION CONTAINED IN THIS DRAWING IS THE SOLE PROPERTY OF HARDWARE RESOURCES INC. ANY REPRODUCTION IN PART OR AS A WHOLE WITHOUT THE WRITTEN PERMISSION OF HARDWARE RESOURCES INC. IS PROHIBITED	ITEM#: PULL-FRAME-6X30	MATERIAL: _____ WEIGHT: _____	
	FINISH: _____	PROJECTION: 	
TOLERANCE UNLESS OTHERWISE SPECIFIED: X : MM ±0.20 X.X : MM ±0.10 X.XX : MM ±0.05 ANGULAR: ±0.5° DO NOT SCALE DRAWING	UNIT: _____ SIZE: _____	DRAWN BY: <i>alan.liu</i> CHECKED BY: _____ APPROVED BY: _____	DATE: _____ DATE: _____ DATE: _____

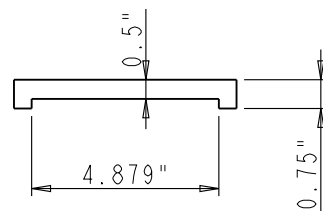
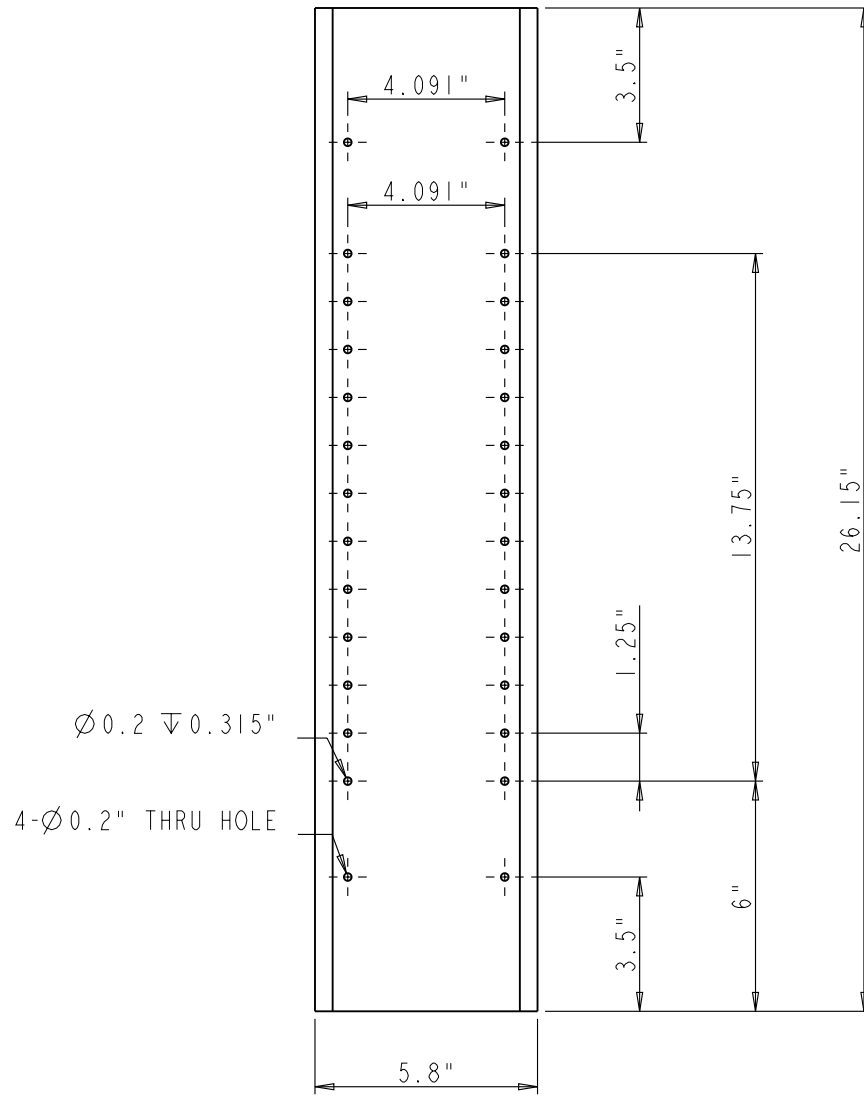


SECTION A-A

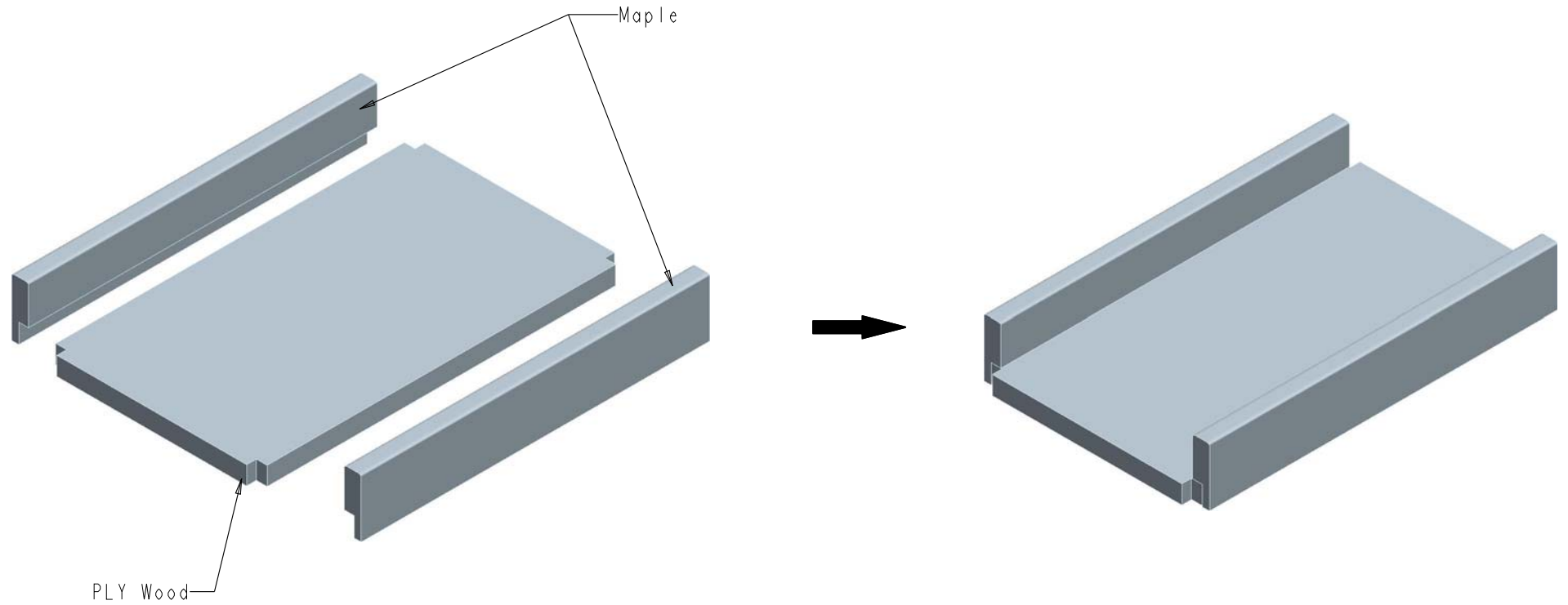


DETAIL A
SCALE 1:2

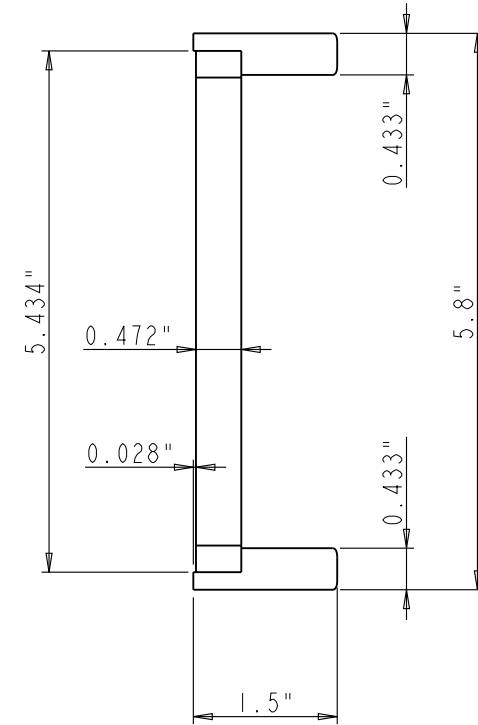
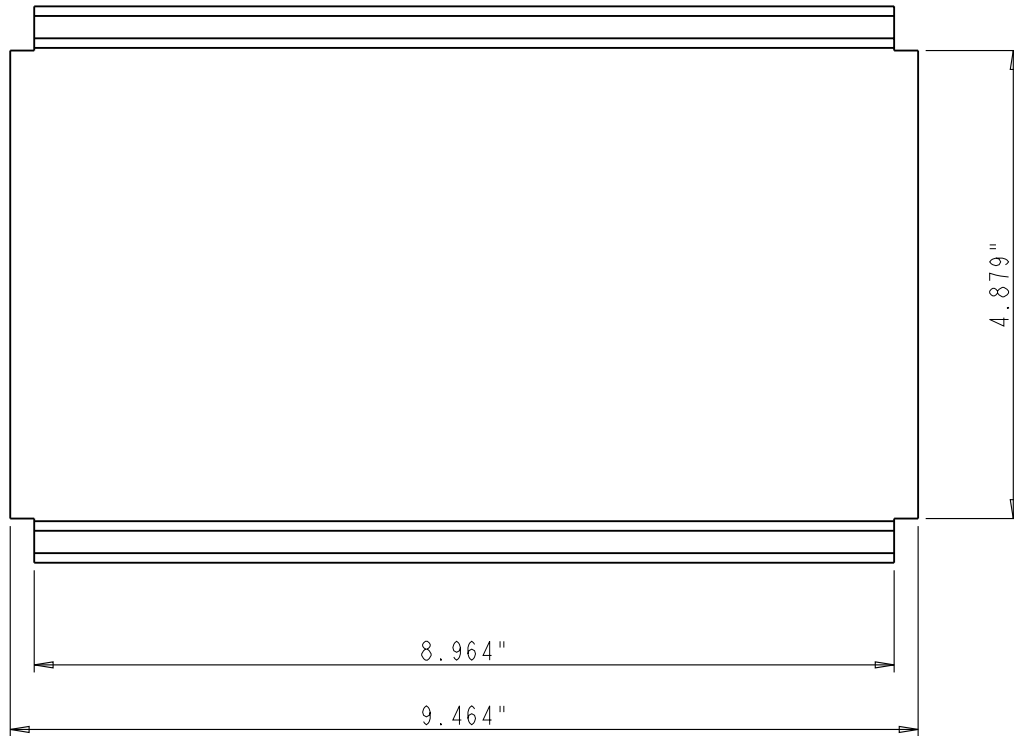
HARDWARE HR RESOURCES PROPRIETARY AND CONFIDENTIAL THE INFORMATION CONTAINED IN THIS DRAWING IS THE SOLE PROPERTY OF HARDWARE RESOURCES INC. ANY REPRODUCTION IN PART OR AS A WHOLE WITHOUT THE WRITTEN PERMISSION OF HARDWARE RESOURCES INC. IS PROHIBITED.	4319 MARLENA ST. BOSSIER CITY, LA 71111	ITEM: PULL-FRAME - 6X30	MATERIAL:
	FINISH:	WEIGHT: 9	PROJECTION:
TOLERANCE UNLESS OTHERWISE SPECIFIED: X: MM ±0.20 XX: MM ±0.10 XXX: MM ±0.05 ANGULAR: ±0.5° DO NOT SCALE DRAWING	UNIT:	DRAWN BY: <i>alan.liu</i>	DATE:
	SIZE:	CHECKED BY:	DATE:
		APPROVED BY:	DATE:



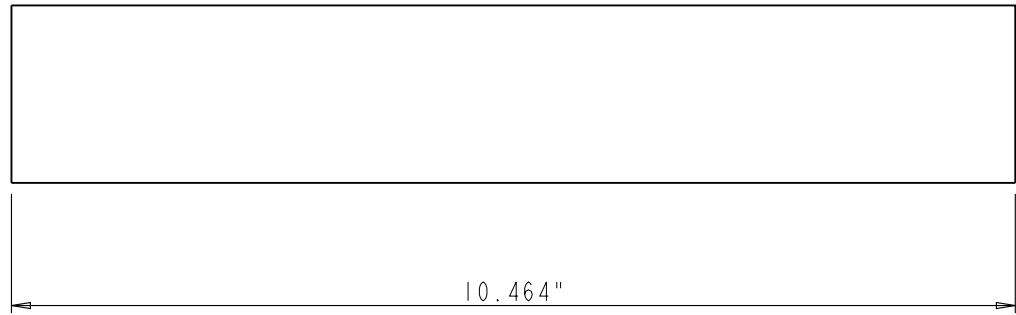
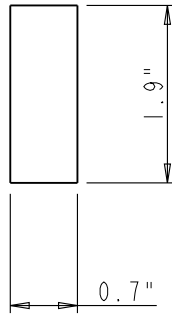
HARDWARE HR 4319 MARLENA ST. BOSSIER CITY, LA 71111 RESOURCES PROPRIETARY AND CONFIDENTIAL THE INFORMATION CONTAINED IN THIS DRAWING IS THE SOLE PROPERTY OF HARDWARE RESOURCES INC. ANY REPRODUCTION IN PART OR AS A WHOLE WITHOUT THE WRITTEN PERMISSION OF HARDWARE RESOURCES INC. IS PROHIBITED	ITEM#: FRONT-BOARD_6X30	MATERIAL: Maple
	FINISH:	WEIGHT: 9
TOLERANCE UNLESS OTHERWISE SPECIFIED: X : MM ±0.20 XX : MM ±0.10 XXX : MM ±0.05 ANGULAR: ±0.5° DO NOT SCALE DRAWING	UNIT:	PROJECTION:
DATE:	DRAWN BY: <i>alan.liu</i>	DATE:
SIZE:	CHECKED BY:	DATE:
APPROVED BY:		DATE:

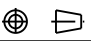


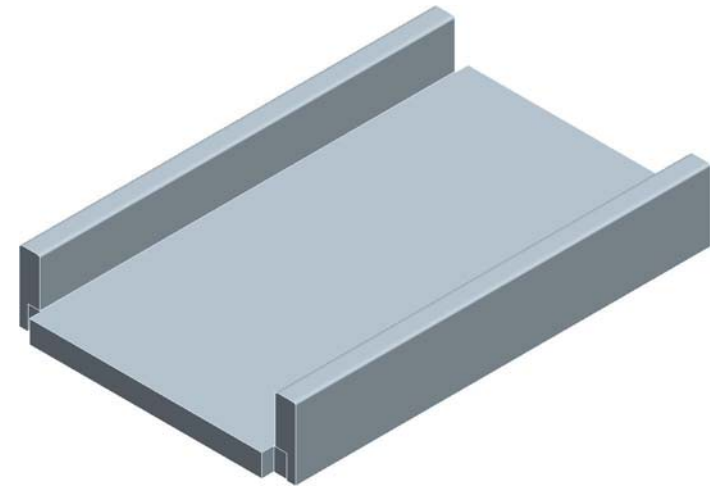
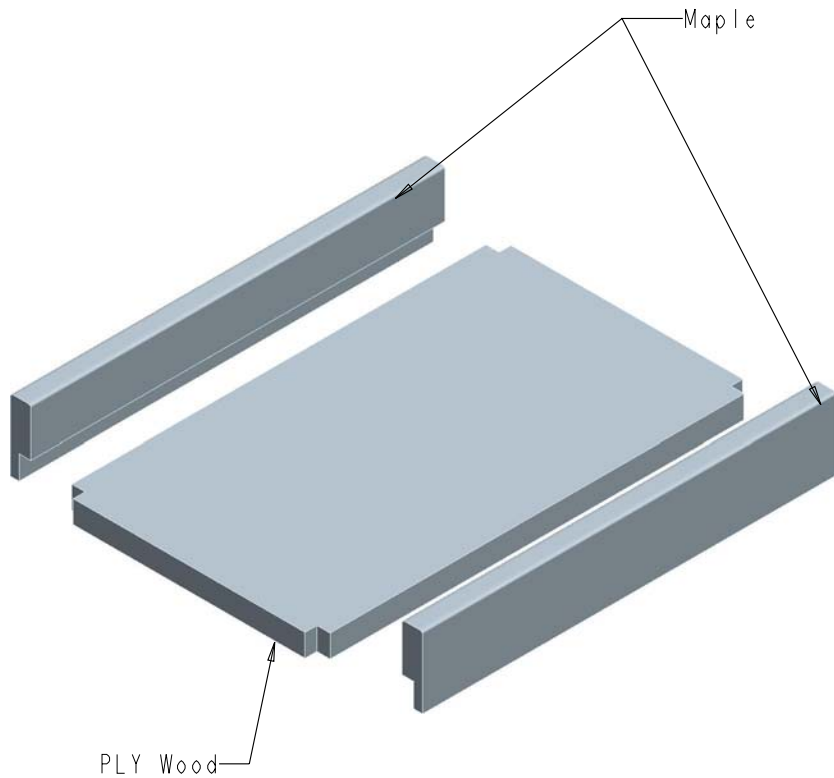
HARDWARE HR 4319 MARLENA ST. BOSSIER CITY, LA 71111 RESOURCES	ITEM: FIXED-SHELF-6IN	MATERIAL:
	FINISH:	WEIGHT: 9
PROPRIETARY AND CONFIDENTIAL THE INFORMATION CONTAINED IN THIS DRAWING IS THE SOLE PROPERTY OF HARDWARE RESOURCES INC. ANY REPRODUCTION IN PART OR AS A WHOLE WITHOUT THE WRITTEN PERMISSION OF HARDWARE RESOURCES INC. IS PROHIBITED.	TOLERANCE UNLESS OTHERWISE SPECIFIED: X : MM ±0.20 XX : MM ±0.10 XXX : MM ±0.05 ANGULAR : ±0.5° DO NOT SCALE DRAWING	PROJECTION:
	UNIT:	DRAWN BY: <i>alan.liu</i>
	SIZE:	CHECKED BY:
		DATE:
		APPROVED BY:
		DATE:



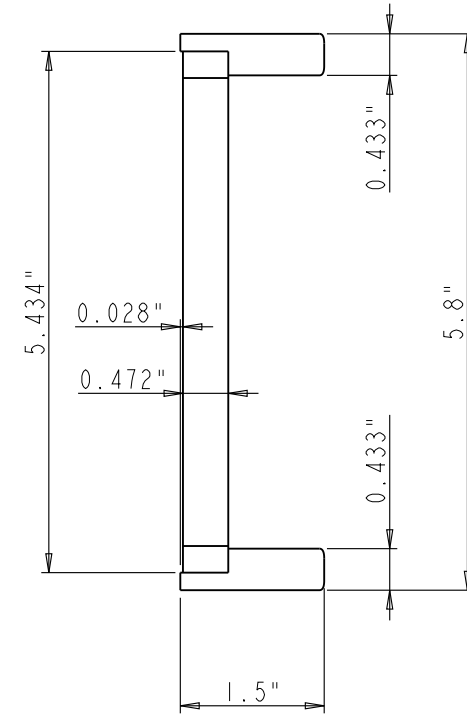
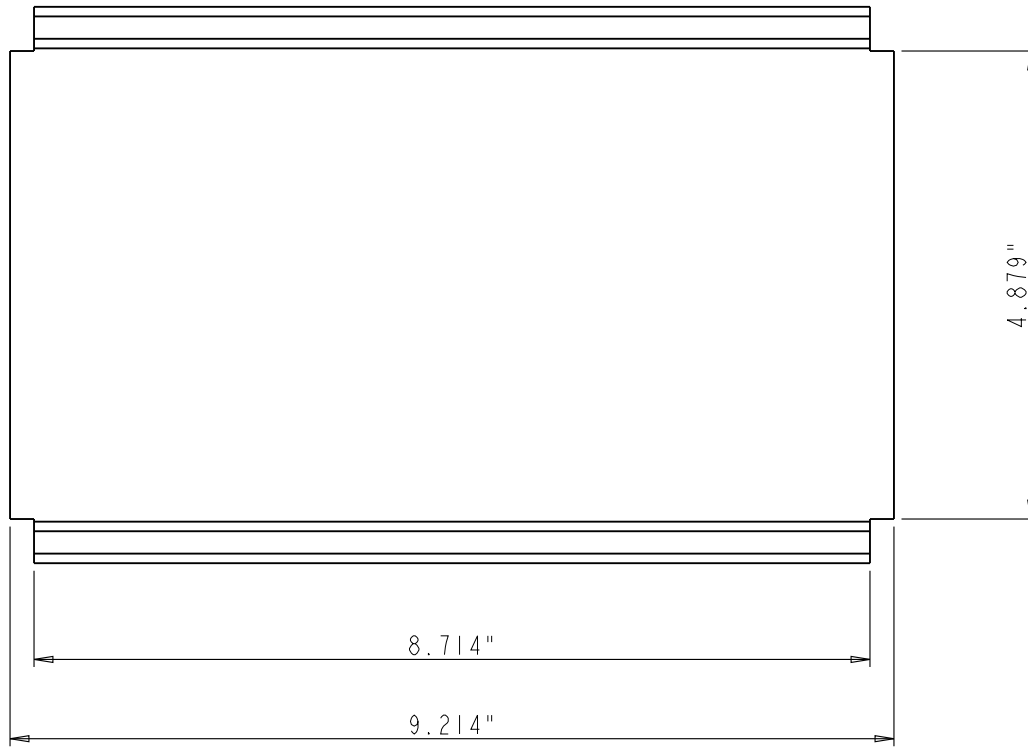
HARDWARE HR 4319 MARLENA ST. BOSSIER CITY, LA71111 RESOURCES	ITEM#: FIXED-SHELF-6IN	MATERIAL:
	FINISH:	WEIGHT: 9
PROPRIETARY AND CONFIDENTIAL THE INFORMATION CONTAINED IN THIS DRAWING IS THE SOLE PROPERTY OF HARDWARE RESOURCES INC. ANY REPRODUCTION IN PART OR AS A WHOLE WITHOUT THE WRITTEN PERMISSION OF HARDWARE RESOURCES INC. IS PROHIBITED.	TOLERANCE UNLESS OTHERWISE SPECIFIED: X : MM ±0.20 XX : MM ±0.10 XXX : MM ±0.05 ANGULAR : ±0.5° DO NOT SCALE DRAWING	PROJECTION:
UNIT:	DRAWN BY: <i>alan.liu</i>	DATE:
SIZE:	CHECKED BY:	DATE:
APPROVED BY:		DATE:



HARDWARE HR 4319 MARLENA ST. BOSSIER CITY, LA 71111 RESOURCES	ITEM: SLIDER-MOUNT-BOARD_MOVABLE		MATERIAL: PLY Wood		
	FINISH:		WEIGHT: g		
PROPRIETARY AND CONFIDENTIAL THE INFORMATION CONTAINED IN THIS DRAWING IS THE SOLE PROPERTY OF HARDWARE RESOURCES INC. ANY REPRODUCTION IN PART OR AS A WHOLE WITHOUT THE WRITTEN PERMISSION OF HARDWARE RESOURCES INC. IS PROHIBITED	TOLERANCE UNLESS OTHERWISE SPECIFIED: X : MM ±0.20 X.X : MM ±0.10 X.XX : MM ±0.05 ANGULAR : ±0.5° DO NOT SCALE DRAWING		UNIT:	DRAWN BY: <i>alan.liu</i>	DATE:
	SIZE:		CHECKED BY:	DATE:	
	PAGE 00		APPROVED BY:		DATE:
	PROJECTION: 				



HARDWARE HR 4319 MARLENA ST. BOSSIER CITY, LA 71111 RESOURCES	ITEM: REMOVABLE-SHELF-6 IN		MATERIAL:		
	FINISH:		WEIGHT: 9		
PROPRIETARY AND CONFIDENTIAL THE INFORMATION CONTAINED IN THIS DRAWING IS THE SOLE PROPERTY OF HARDWARE RESOURCES INC. ANY REPRODUCTION IN PART OR AS A WHOLE WITHOUT THE WRITTEN PERMISSION OF HARDWARE RESOURCES INC. IS PROHIBITED	TOLERANCE UNLESS OTHERWISE SPECIFIED: X : MM ±0.20 X.X : MM ±0.10 X.XX : MM ±0.05 ANGULAR: ±0.5° DO NOT SCALE DRAWING		UNIT:	DRAWN BY: <i>alan.liu</i>	DATE:
	SIZE:	CHECKED BY:	PROJECTION:		
	APPROVED BY:		DATE:		
	DATE:		DATE:		



HARDWARE HR 4319 MARLENA ST. BOSSIER CITY, LA 71111 RESOURCES <u>PROPRIETARY AND CONFIDENTIAL</u> THE INFORMATION CONTAINED IN THIS DRAWING IS THE SOLE PROPERTY OF HARDWARE RESOURCES INC. ANY REPRODUCTION IN PART OR AS A WHOLE WITHOUT THE WRITTEN PERMISSION OF HARDWARE RESOURCES INC. IS PROHIBITED	ITEM#: REMOVABLE-SHELF-61N	MATERIAL:
	FINISH:	WEIGHT: 9
TOLERANCE UNLESS OTHERWISE SPECIFIED: X : MM ±0.20 XX : MM ±0.10 XXX : MM ±0.05 ANGULAR: ±0.5° DO NOT SCALE DRAWING	UNIT:	DRAWN BY: <i>alan.liu</i>
SIZE:	CHECKED BY:	DATE:
APPROVED BY:		DATE: