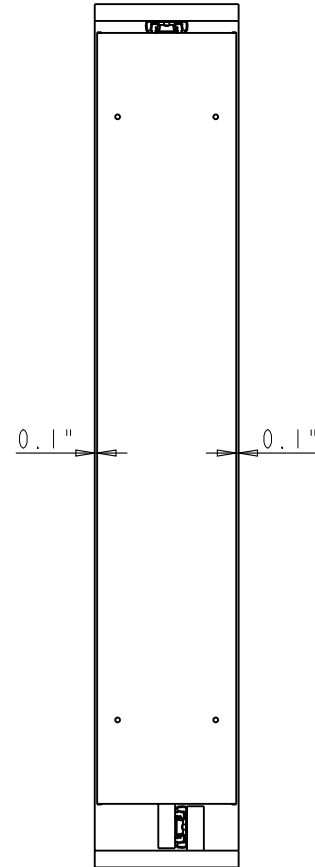
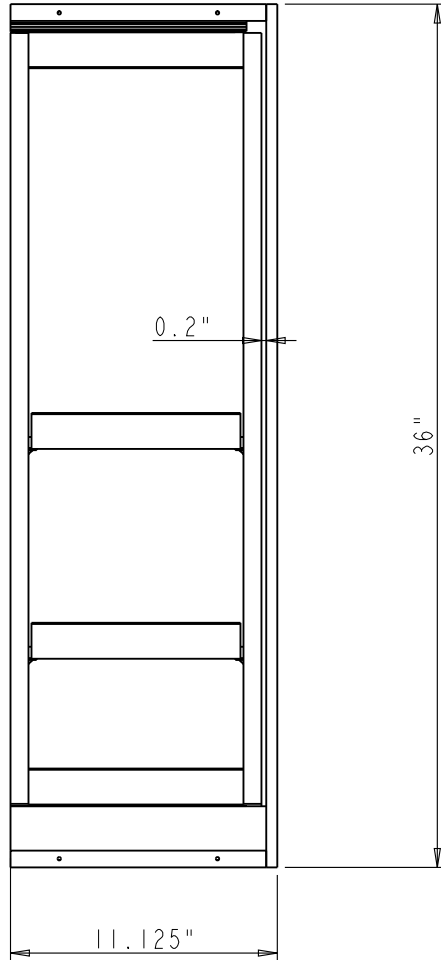


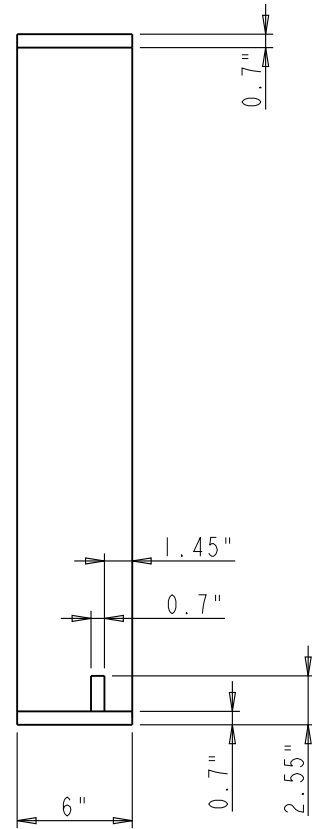
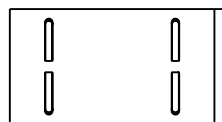
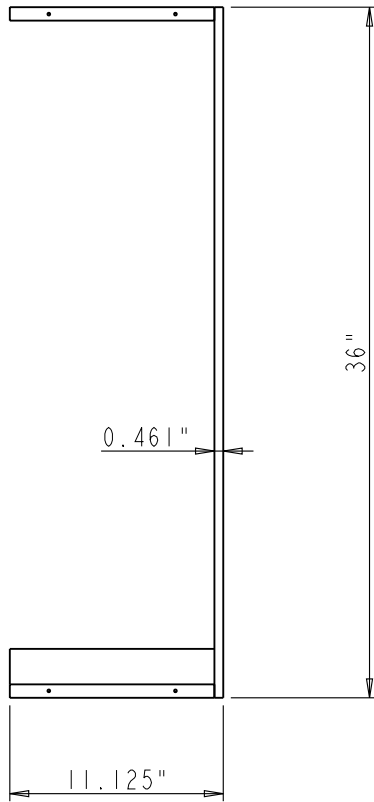
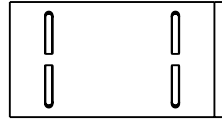
Bills of Material:

NO.	ITEM#	MATERIAL	QTY	WEIGHT		TYPE	ASSY LEVEL
				UNIT	TOTL		
5	REMOVABLE-SHELF-6IN		2			ASSEMBLY	1
4	7704		8			PART	1
3	303FU-10		2			PART	1
2	PULL-FRAME-6X36		1			ASSEMBLY	1
1	MOUNT-FRAME-6X36		1			ASSEMBLY	1

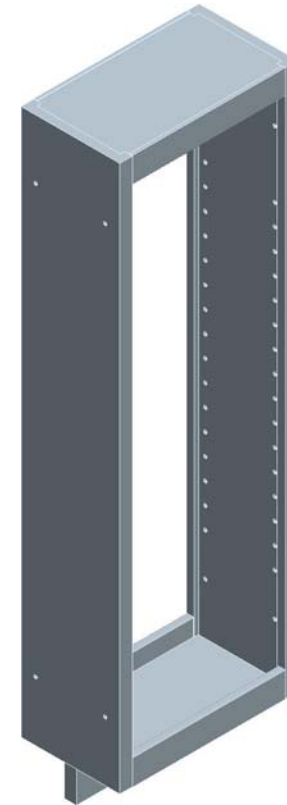
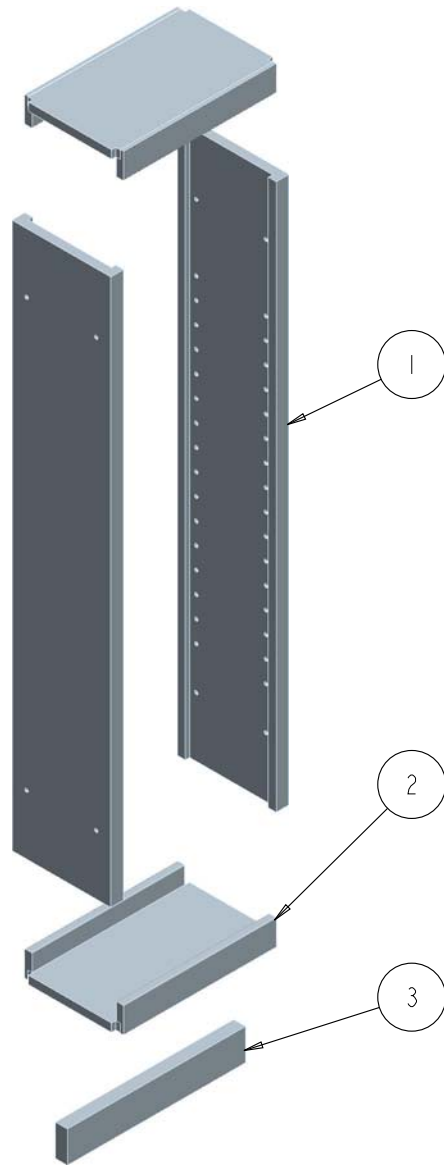
<b>HARDWARE</b> <b>HR</b> 4319 MARLENA ST. BOSSIER CITY, LA71111 <b>RESOURCES</b>		<b>ITEM#:</b> WFPO636		<b>MATERIAL:</b> WFPO636	
<b>PROPRIETARY AND CONFIDENTIAL</b> THE INFORMATION CONTAINED IN THIS DRAWING IS THE SOLE PROPERTY OF HARDWARE RESOURCES INC. ANY REPRODUCTION IN PART OR AS A WHOLE WITHOUT THE WRITTEN PERMISSION OF HARDWARE RESOURCES INC. IS PROHIBITED.		<b>FINISH:</b>		<b>WEIGHT:</b> 9	
<b>TOLERANCE UNLESS OTHERWISE SPECIFIED:</b> X : MM ±0.20 X.X : MM ±0.10 X.XX : MM ±0.05 ANGULAR: ±0.5° DO NOT SCALE DRAWING		<b>UNIT:</b>	<b>DRAWN BY:</b> <i>alan.liu</i>	<b>DATE:</b>	
		<b>SIZE:</b>	<b>CHECKED BY:</b>	<b>DATE:</b>	
		<b>APPROVED BY:</b>		<b>DATE:</b>	



<b>HARDWARE</b> <b>HR</b> 4319 MARLENA ST. BOSSIER CITY, LA 71111 <b>RESOURCES</b>	<b>ITEM#:</b> WFPO636	<b>MATERIAL:</b>
	<b>FINISH:</b>	<b>WEIGHT:</b> 9
<b>PROPRIETARY AND CONFIDENTIAL</b> THE INFORMATION CONTAINED IN THIS DRAWING IS THE SOLE PROPERTY OF HARDWARE RESOURCES INC. ANY REPRODUCTION IN PART OR AS A WHOLE WITHOUT THE WRITTEN PERMISSION OF HARDWARE RESOURCES INC. IS PROHIBITED.	<b>TOLERANCE UNLESS OTHERWISE SPECIFIED:</b> X : MM ±0.20 X.X : MM ±0.10 X.XX : MM ±0.05 ANGULAR : ±0.5° DO NOT SCALE DRAWING	<b>PROJECTION:</b> 
<b>UNIT:</b>	<b>DRAWN BY:</b> <i>alan.liu</i>	<b>DATE:</b>
<b>SIZE:</b>	<b>CHECKED BY:</b>	<b>DATE:</b>
	<b>APPROVED BY:</b>	<b>DATE:</b>



<b>HARDWARE</b> <b>HR</b> 4319 MARLENA ST. BOSSIER CITY, LA 71111 <b>RESOURCES</b> <u>PROPRIETARY AND CONFIDENTIAL</u> THE INFORMATION CONTAINED IN THIS DRAWING IS THE SOLE PROPERTY OF HARDWARE RESOURCES INC. ANY REPRODUCTION IN PART OR AS A WHOLE WITHOUT THE WRITTEN PERMISSION OF HARDWARE RESOURCES INC. IS PROHIBITED	<b>ITEM#:</b> MOUNT-FRAME-6X36	<b>MATERIAL:</b> PLY Wood
	<b>FINISH:</b>	<b>WEIGHT:</b> 9
<b>TOLERANCE UNLESS OTHERWISE SPECIFIED:</b> X : MM ±0.20 XX : MM ±0.10 XXX : MM ±0.05 ANGULAR: ±0.5° DO NOT SCALE DRAWING	<b>UNIT:</b> SIZE:	<b>PROJECTION:</b> 
<b>DRAWN BY:</b> <i>alan.liu</i>	<b>CHECKED BY:</b>	<b>DATE:</b>
<b>APPROVED BY:</b>		<b>DATE:</b>

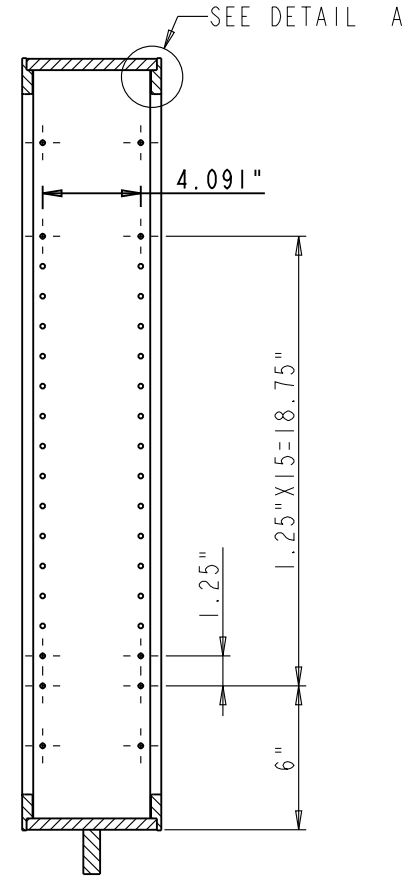
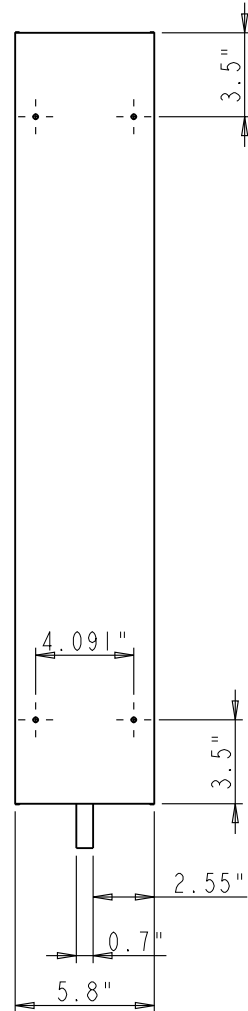
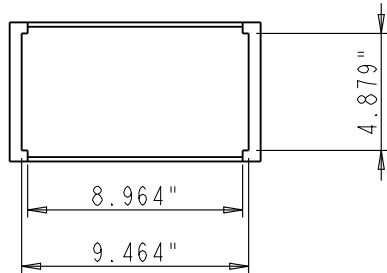
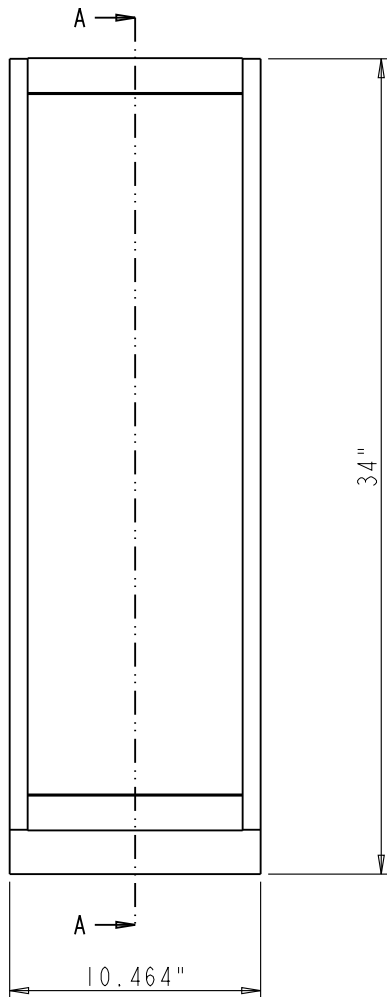


Bills of Material:

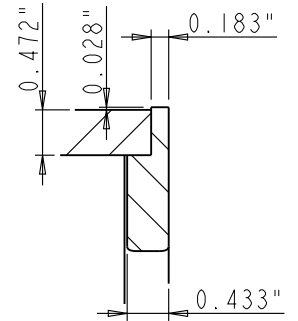
NO.	ITEM#	MATERIAL	QTY	UNIT	TOTLE	TYPE	ASSY
			WEIGHT		LEVEL		
3	SLIDER-MOUNT-BOARD_MOVABLE		1			PART	1
2	FIXED-SHELF-6IN		2			ASSEMBLY	1
1	FRONT-BOARD_6X36		2			PART	1

<b>HARDWARE</b> <b>HR</b> 4319 MARLENA ST. BOSSIER CITY, LA71111 <b>RESOURCES</b> <b>PROPRIETARY AND CONFIDENTIAL</b> THE INFORMATION CONTAINED IN THIS DRAWING IS THE SOLE PROPERTY OF HARDWARE RESOURCES INC. ANY REPRODUCTION IN PART OR AS A WHOLE WITHOUT THE WRITTEN PERMISSION OF HARDWARE RESOURCES INC. IS PROHIBITED	<b>ITEM#:</b> PULL-FRAME-6X36	<b>MATERIAL:</b> _____ <b>WEIGHT:</b> _____	
	<b>FINISH:</b> _____	<b>PROJECTION:</b> 	
<b>TOLERANCE UNLESS OTHERWISE SPECIFIED:</b> X : MM ±0.20 X.X : MM ±0.10 X.XX : MM ±0.05 ANGULAR: ±0.5° DO NOT SCALE DRAWING	<b>UNIT:</b> _____ <b>SIZE:</b> _____	<b>DRAWN BY:</b> <i>alan.liu</i> <b>CHECKED BY:</b> _____ <b>APPROVED BY:</b> _____	<b>DATE:</b> _____ <b>DATE:</b> _____ <b>DATE:</b> _____

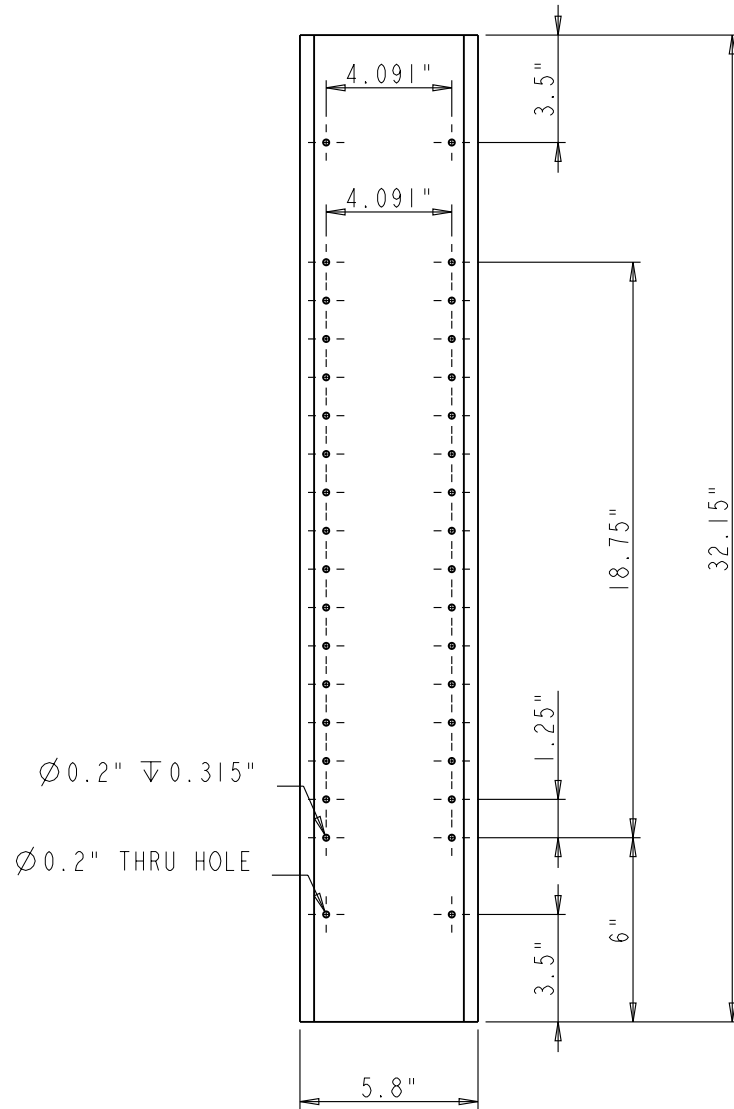


SECTION A-A

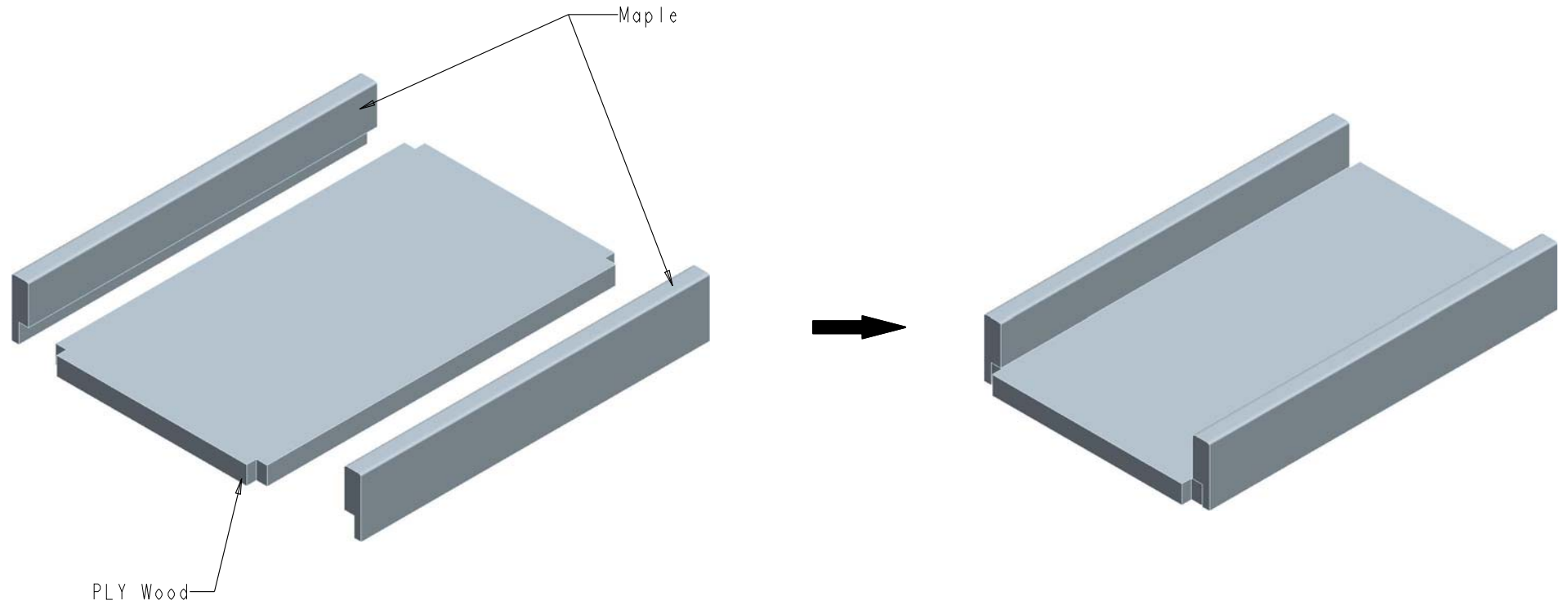


DETAIL A  
SCALE 1:2

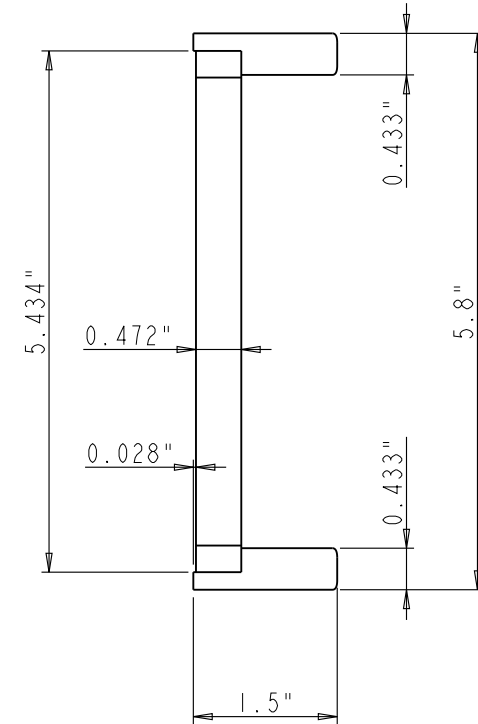
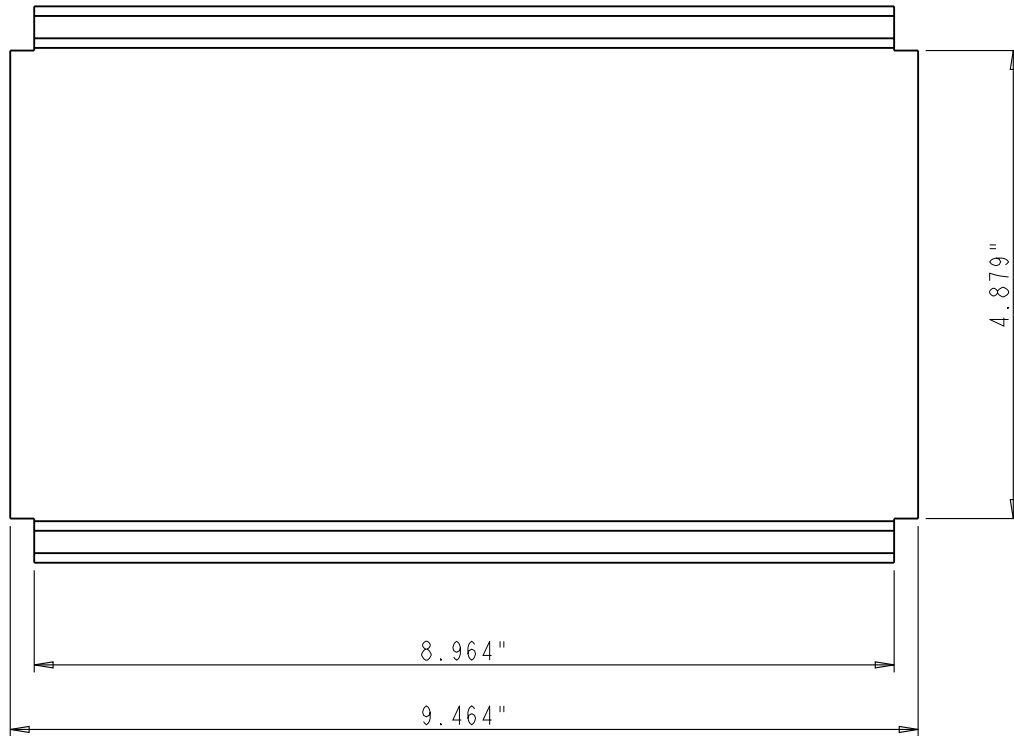
<b>HARDWARE</b> <b>HR</b> 4319 MARLENA ST. BOSSIER CITY, LA 71111 <b>RESOURCES</b>		<b>ITEM:</b> PULL-FRAME-6X36		<b>MATERIAL:</b>	
<b>PROPRIETARY AND CONFIDENTIAL</b> THE INFORMATION CONTAINED IN THIS DRAWING IS THE SOLE PROPERTY OF HARDWARE RESOURCES INC. ANY REPRODUCTION IN PART OR AS A WHOLE WITHOUT THE WRITTEN PERMISSION OF HARDWARE RESOURCES INC. IS PROHIBITED.		<b>FINISH:</b>		<b>WEIGHT:</b> 9	
<b>TOLERANCE UNLESS OTHERWISE SPECIFIED:</b> X : MM ±0.20 XX : MM ±0.10 XXX : MM ±0.05 ANGULAR: ±0.5° DO NOT SCALE DRAWING		<b>UNIT:</b>	<b>DRAWN BY:</b> <i>alan.liu</i>	<b>DATE:</b>	
<b>SIZE:</b>		<b>CHECKED BY:</b>	<b>DATE:</b>		<b>PROJECTION:</b> 
<b>APPROVED BY:</b>		<b>DATE:</b>		<b>DATE:</b>	

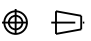


<b>HARDWARE</b> <b>HR</b> 4319 MARLENA ST. BOSSIER CITY, LA 71111 <b>RESOURCES</b> <b>PROPRIETARY AND CONFIDENTIAL</b> THE INFORMATION CONTAINED IN THIS DRAWING IS THE SOLE PROPERTY OF HARDWARE RESOURCES INC. ANY REPRODUCTION IN PART OR AS A WHOLE WITHOUT THE WRITTEN PERMISSION OF HARDWARE RESOURCES INC. IS PROHIBITED	<b>ITEM:</b> FRONT-BOARD_6X36	<b>MATERIAL:</b> Maple
	<b>FINISH:</b>	<b>WEIGHT:</b> 9
<b>TOLERANCE UNLESS OTHERWISE SPECIFIED:</b> X : MM ±0.20 XX : MM ±0.10 XXX : MM ±0.05 ANGULAR: ±0.5° DO NOT SCALE DRAWING	<b>UNIT:</b>	<b>DRAWN BY:</b> <i>alan.liu</i>
<b>SIZE:</b>	<b>CHECKED BY:</b>	<b>DATE:</b>
<b>APPROVED BY:</b>	<b>DATE:</b>	<b>PROJECTION:</b> 

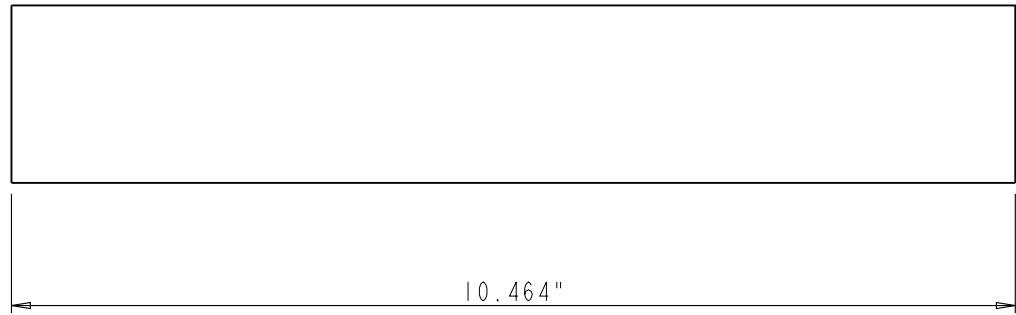
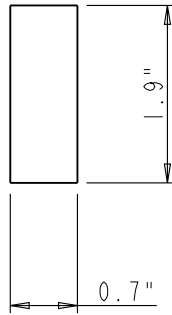


<b>HARDWARE</b> <b>HR</b> 4319 MARLENA ST. BOSSIER CITY, LA 71111 <b>RESOURCES</b>	<b>ITEM:</b> FIXED-SHELF-6IN	<b>MATERIAL:</b>
	<b>FINISH:</b>	<b>WEIGHT:</b> 9
<b>PROPRIETARY AND CONFIDENTIAL</b> THE INFORMATION CONTAINED IN THIS DRAWING IS THE SOLE PROPERTY OF HARDWARE RESOURCES INC. ANY REPRODUCTION IN PART OR AS A WHOLE WITHOUT THE WRITTEN PERMISSION OF HARDWARE RESOURCES INC. IS PROHIBITED.	<b>TOLERANCE UNLESS OTHERWISE SPECIFIED:</b> X : MM ±0.20 X.X : MM ±0.10 X.XX : MM ±0.05 ANGULAR : ±0.5° DO NOT SCALE DRAWING	<b>PROJECTION:</b> 
	<b>UNIT:</b>	<b>DRAWN BY:</b> <i>alan.liu</i>
	<b>SIZE:</b>	<b>CHECKED BY:</b>
		<b>DATE:</b>
		<b>APPROVED BY:</b>
		<b>DATE:</b>

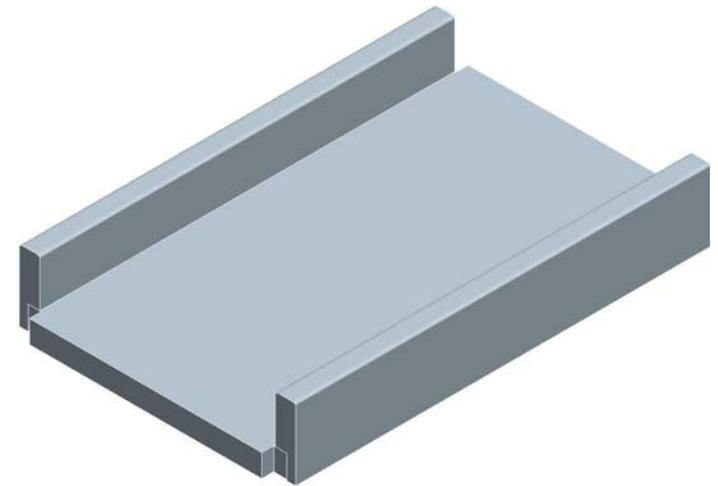
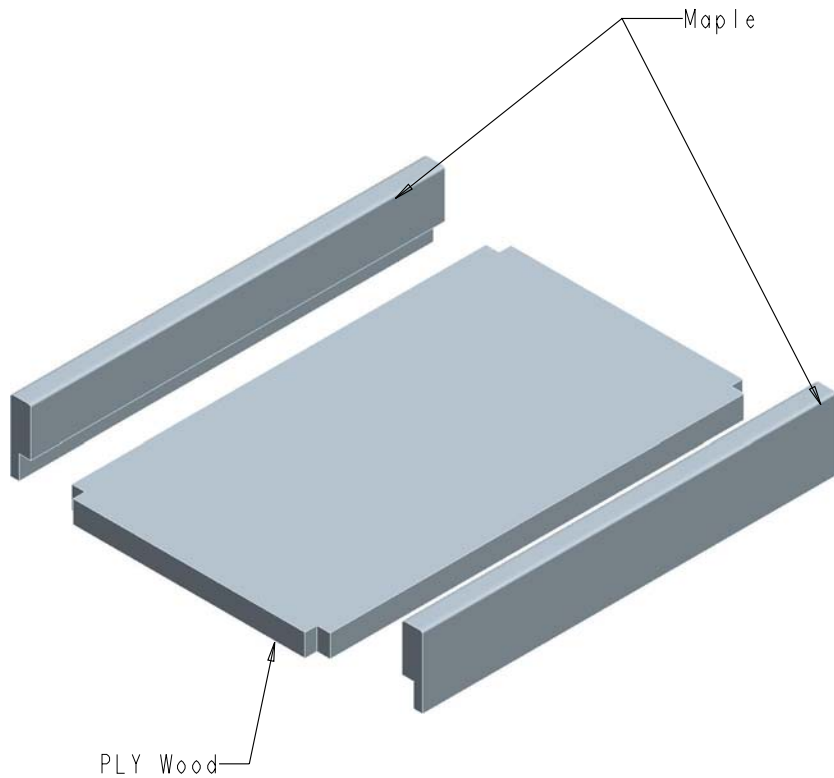


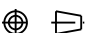
<b>HARDWARE</b> <b>HR</b> 4319 MARLENA ST. BOSSIER CITY, LA71111 <b>RESOURCES</b>	<b>ITEM#:</b> FIXED-SHELF-6IN		<b>MATERIAL:</b>		
	<b>FINISH:</b>		<b>WEIGHT:</b> 9		
<b>PROPRIETARY AND CONFIDENTIAL</b> THE INFORMATION CONTAINED IN THIS DRAWING IS THE SOLE PROPERTY OF HARDWARE RESOURCES INC. ANY REPRODUCTION IN PART OR AS A WHOLE WITHOUT THE WRITTEN PERMISSION OF HARDWARE RESOURCES INC. IS PROHIBITED	<b>TOLERANCE UNLESS          OTHERWISE SPECIFIED:</b> X : MM ±0.20 X.X : MM ±0.10 X.XX : MM ±0.05 ANGULAR : ±0.5° DO NOT SCALE DRAWING		<b>UNIT:</b>	<b>DRAWN BY:</b> <i>alan.liu</i>	<b>DATE:</b>
	<b>SIZE:</b>	<b>CHECKED BY:</b>	<b>APPROVED BY:</b>	<b>DATE:</b>	<b>DATE:</b>
	<b>PROJECTION:</b> 		<b>PROJECTION:</b>		

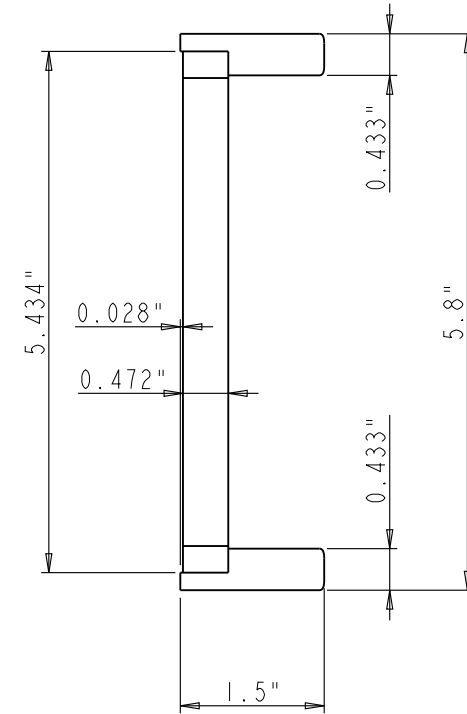
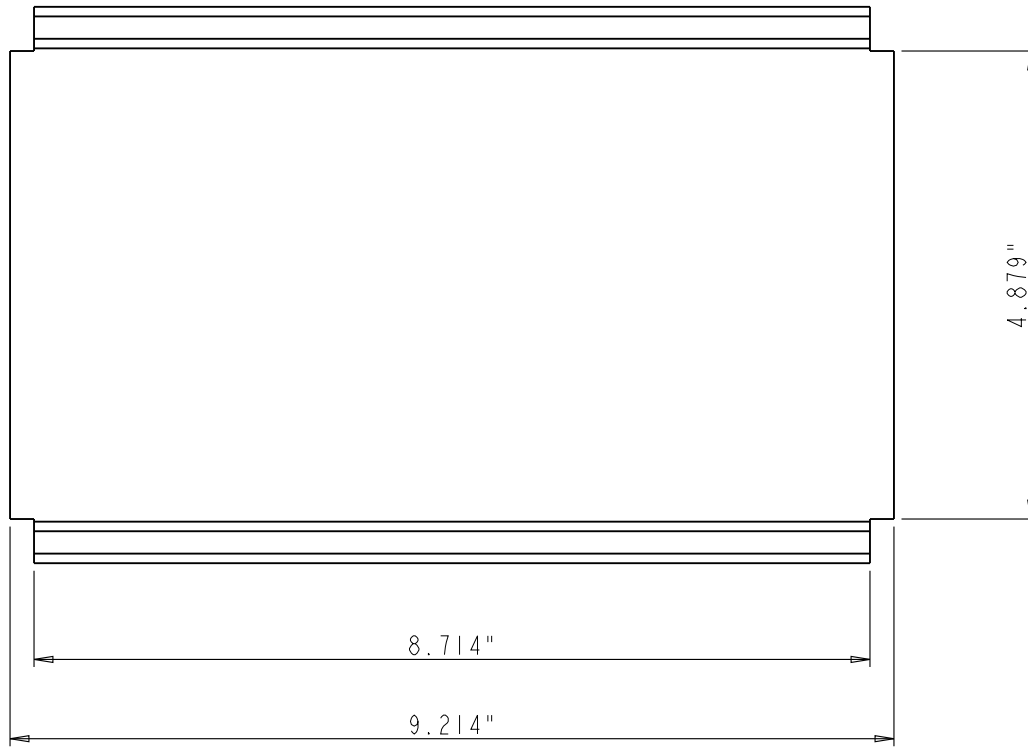




<b>HARDWARE</b> <b>HR</b> 4319 MARLENA ST. BOSSIER CITY, LA 71111 <b>RESOURCES</b>	<b>ITEM:</b> SLIDER-MOUNT-BOARD_MOVABLE		<b>MATERIAL:</b> PLY Wood			
	<b>FINISH:</b>		<b>WEIGHT:</b> g			
<u>PROPRIETARY AND CONFIDENTIAL</u> THE INFORMATION CONTAINED IN THIS DRAWING IS THE SOLE PROPERTY OF HARDWARE RESOURCES INC. ANY REPRODUCTION IN PART OR AS A WHOLE WITHOUT THE WRITTEN PERMISSION OF HARDWARE RESOURCES INC. IS PROHIBITED	<b>TOLERANCE UNLESS          OTHERWISE SPECIFIED:</b> X : MM ±0.20 X.X : MM ±0.10 X.XX : MM ±0.05 ANGULAR : ±0.5° DO NOT SCALE DRAWING		<b>UNIT:</b>	<b>DRAWN BY:</b> <i>alan.liu</i>	<b>DATE:</b>	
	<b>SIZE:</b>	<b>CHECKED BY:</b>	<b>DATE:</b>	<b>PROJECTION:</b>		
	<b>PAGE 00</b>		<b>APPROVED BY:</b>	<b>DATE:</b>		



<b>HARDWARE</b> <b>HR</b> RESOURCES PROPRIETARY AND CONFIDENTIAL THE INFORMATION CONTAINED IN THIS DRAWING IS THE SOLE PROPERTY OF HARDWARE RESOURCES INC. ANY REPRODUCTION IN PART OR AS A WHOLE WITHOUT THE WRITTEN PERMISSION OF HARDWARE RESOURCES INC. IS PROHIBITED.	4319 MARLENA ST. BOSSIER CITY, LA 71111	<b>ITEM:</b> REMOVABLE-SHELF-6 IN	<b>MATERIAL:</b>
	<b>FINISH:</b>	<b>WEIGHT:</b> 9	<b>PROJECTION:</b> 
<b>TOLERANCE UNLESS OTHERWISE SPECIFIED:</b> X : MM ±0.20 X.X : MM ±0.10 X.XX : MM ±0.05 ANGULAR : ±0.5° DO NOT SCALE DRAWING	<b>UNIT:</b>	<b>DRAWN BY:</b> <i>alan.liu</i>	<b>DATE:</b>
	<b>SIZE:</b>	<b>CHECKED BY:</b>	<b>DATE:</b>
		<b>APPROVED BY:</b>	<b>DATE:</b>



<b>HARDWARE</b> <b>HR</b> 4319 MARLENA ST. BOSSIER CITY, LA71111 <b>RESOURCES</b>	<b>ITEM#:</b> REMOVABLE-SHELF-61N		<b>MATERIAL:</b>		
	<b>FINISH:</b>		<b>WEIGHT:</b> 9		
<b>PROPRIETARY AND CONFIDENTIAL</b> THE INFORMATION CONTAINED IN THIS DRAWING IS THE SOLE PROPERTY OF HARDWARE RESOURCES INC. ANY REPRODUCTION IN PART OR AS A WHOLE WITHOUT THE WRITTEN PERMISSION OF HARDWARE RESOURCES INC. IS PROHIBITED	<b>TOLERANCE UNLESS OTHERWISE SPECIFIED:</b> X : MM ±0.20 XX : MM ±0.10 XXX : MM ±0.05 ANGULAR: ±0.5° DO NOT SCALE DRAWING		<b>UNIT:</b>	<b>DRAWN BY:</b> <i>alan.liu</i>	<b>DATE:</b>
	<b>SIZE:</b>	<b>CHECKED BY:</b>	<b>APPROVED BY:</b>	<b>DATE:</b>	<b>DATE:</b>
	<b>PROJECTION:</b>		<b>PROJECTION:</b>		<b>DATE:</b>
	<b>PROJECTION:</b>		<b>PROJECTION:</b>		<b>DATE:</b>